

Bimetal Thermometers, Rigid Mount

TBiSch

Bayonet ring case stainless steel

Standard Versions

Information on general and metrological features (e.g. temperature resistance) and temperature ranges / error limits / smallest subdivision can be found in model overview 8000.

Measuring Unit

Helical bimetallic element

Accuracy (EN 13 190)

Class 1

Case

With bayonet ring, 1.4301 (304 stainless steel)

Case Protection Type (EN 60 529 / IEC 529)

IP 65

Nominal Case Sizes

63, 100, 160 (mm) (2½", 4", 6")

Case Configuration

Connection temperature

sensor (stem): rigid mount with neck tube

Stem position:

vertical bottom position,
optional: centre back position (rm):
for stem B1 and B4.1
without neck tube, see page 2

Mounting device:

without,
optional: for centre back connection (rm),
back flange for surface mounting (Rh),
see page 2

Temperature Ranges (EN 13 190)

Spans from 60 K to 600 K

Temperature Sensor (Stem)

1.4571 (316 stainless steel),

max. static operating pressure: 25 bar

Stem models: B1, B3, B4, B4.1, B5 or B6

Stem- Ø dF: 6 or 8 mm

Stem length L: Lmin resp. L1min up to 400 mm

Please regard the minimum stem length depending on the active length (La) and stem model, see page 3.

Window

Instrument glass

Dial

Aluminum, black figures, white background

Pointer

Adjustable pointer aluminum, black

Indication Adjustment (± 4%)

Bottom stem position: by adjustable pointer

Centre back stem position: externally by a screw



Ordering Information, Standard Temperature Ranges, Options

See page 4

Special Versions and further Options among others

- Other connection threads and materials upon request
- Other temperature ranges and/or special scales e.g. dual scale °C/°F, coloured fields or areas, dial inscriptions, etc.
- Case parts 1.4404 (316 stainless steel) upon request
- For ambient temperatures up to -60°C upon request. For ambient temperatures below -20 °C we recommend: Thermometers with crimped-on ring case model TBiSchg resp. TBiSchgG
- Position of the connection radial at 3 o'clock, 9 o'clock, 12 o'clock, others upon request or other than vertical installation (90°)
- GOST-version for Russia, Ukraine, Kazakhstan

Thermowells

See DS 8.8110 ff



Sales and Export South, West, North

ARMATURENBAU GmbH

Manometerstraße 5 • D-46487 Wesel-Ginderich
Tel.: +49 (0)28 03/91 30-0 • Fax: +49 (0)28 03/10 35
armaturenbaum.com • mail@armaturenbaum.com

Subsidiary Company, Sales and Export East

MANOTHERM Beierfeld GmbH

Am Gewerbepark 9 • D-08344 Grünhain-Beierfeld
Tel.: +49 (0)37 74/58-0 • Fax: +49 (0)37 74/58-545
manotherm.com • mail@manotherm.com

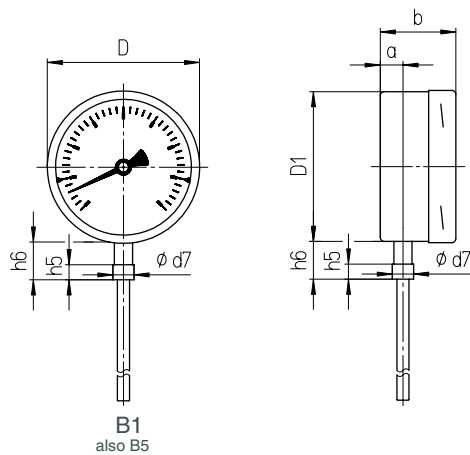
8101

06/13

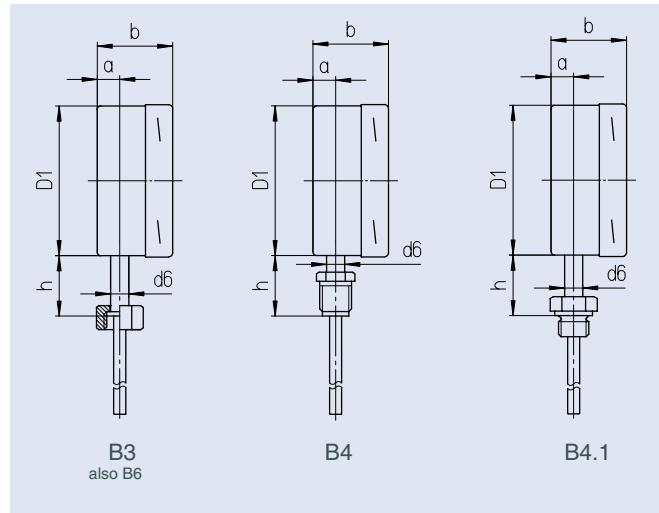
Stem Position / Case Configurations, Code Letters, Dimensional Data and Weights

Vertical Bottom Stem Position

without additional code letter

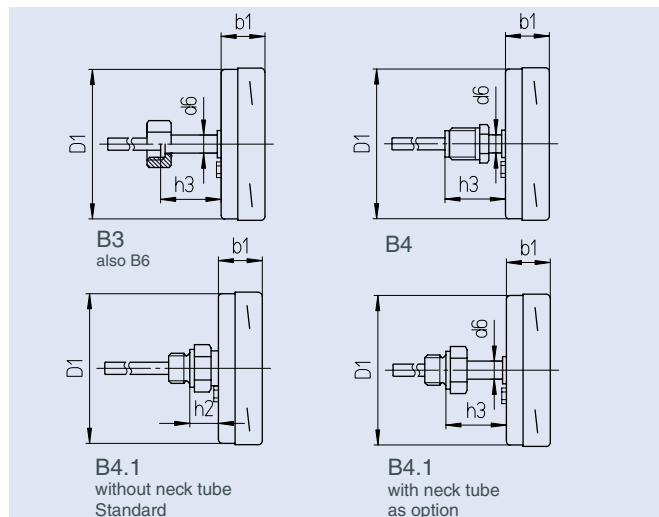
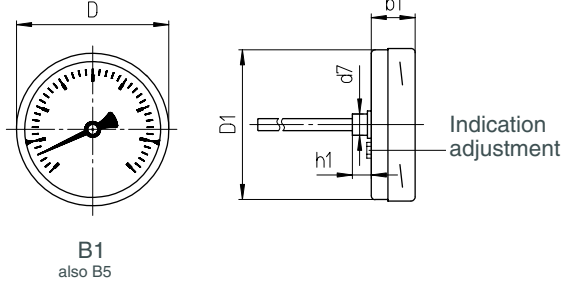


Further Stem Models



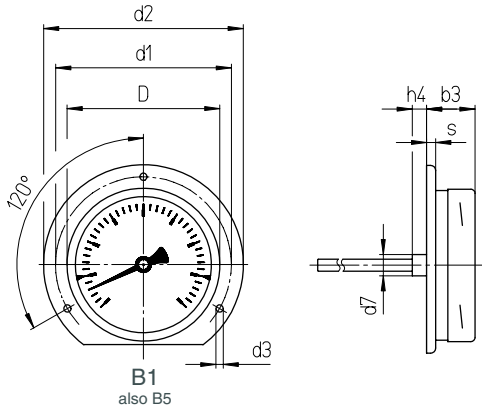
Centre Back Stem Position

code letters **rm**



Back flange for surface mounting (back flange)

code letters **rmRh**



Dimensional Data (mm / inches) and Weights (kg / lb)

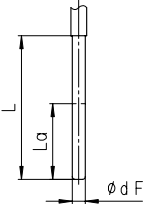
NCS	a	b	b1	b3	D	D1	d1	d2	d3	d6	d7	h ¹⁾	h1	h2	h3 ¹⁾	h4	h5	h6	approx. weight ²⁾ TBiSch
63	12	47.5	26	29	64	62	75	85	3.6	12	14	40	12.5	19	40	9.5	10.5	25	0.18
2½"	.47	1.87	1.02	1.14	2.52	2.44	2.95	3.35	.14	.47	.55	1.57	.49	.75	1.57	.37	.41	.98	0.39
100	15	55	28	31.5	101	99	116	132	4.8	12	14	40	12.5	19	40	9	10.5	25	0.35
4"	.59	2.17	1.10	1.24	3.98	3.9	4.57	5.2	.18	.47	.55	1.57	.49	.75	1.57	.35	.41	.98	0.77
160	15	55	27	30	161	159	178	196	5.8	12	14	40	12.5	19	40	9.5	10.5	25	0.65
6"	.59	2.17	1.06	1.18	6.34	6.26	7.01	7.72	.22	.47	.55	1.57	.49	.75	1.57	.37	.41	.98	1.43

¹⁾ Stem model B4 with G ¾ B : 50 mm (1.97")

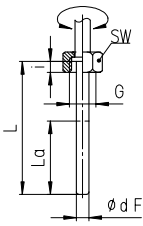
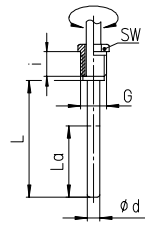
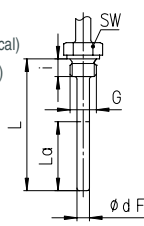
²⁾ The information is an example and relates on version with stem B1, Ø 8 mm (0.3"), length 100 mm (4").

Stem Models

Stem Models	
Process connection:	without screw fitting, plain stem
Stem model:	B1
Form according to DIN 13 190:	Form 1
Stem material:	1.4571
Stem-Ø dF:	6 or 8 mm
Order length:	L
Data sheet (suitable thermowell model):	8.8140 (SK1), 8.8141 (SK2) 8.8150 (SK3.B), 8.8151 (SK4.B)



Process connection:	Union nut	Male thread, turnable	Male thread, rigid
Stem model:	B3	B4	B4.1
Form according to DIN 13 190:	Form 5	Form 4	Form 6 (thread cylindrical) Form 7 (thread conical)
Stem material:	1.4571	1.4571	1.4571
Stem-Ø dF:	6 or 8 mm	6 or 8 mm	6 or 8 mm
Screw fitting material:	1.4571	1.4571	1.4571
Order length:	L	L	L
Data sheet (suitable thermowell model):	8.8111 (SF4.1), 8.8113 (SF4.1F) 8.8130 (SF8), 8.8131 (SF9)	8.8110 (SF4), 8.8112 (SF4F) 8.8120 (SF5), 8.8121(SF6+SF7)	8.8110 (SF4), 8.8112 (SF4F) 8.8120 (SF5), 8.8121(SF6+SF7)

Thread (dimension in mm):

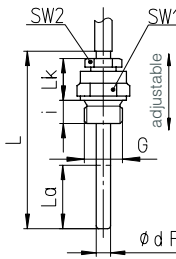
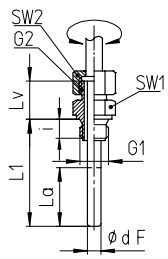
G	SW	i
G 1/2	27	10
G 3/4	32	12
M 20 x 1.5	27	10
M 24 x 1.5	32	12
M 27 x 2	32	12

Thermowell required!

G	SW	i
G 1/2 B	22	20
G 3/4 B	27	23
M 18 x 1.5	22	14
M 20 x 1.5	22	20

G	SW	i
G 1/2 B	27	14
G 3/4 B	32	16
1/2" NPT	27	19
3/4" NPT	27	19
M 18 x 1.5	24	14
M 20 x 1.5	27	14

Process connection:	Male thread / compression fitting	Male thread, turnable / double male adapter
Stem model:	B5 (stem B1 with clamping ring fitting)	B6 (stem B3 with double male adapter)
Form according to DIN 13 190:	Form 2 (thread cylindrical) Form 3 (thread conical)	—
Stem material:	1.4571	1.4571
Stem-Ø dF:	6 or 8 mm	6 or 8 mm
Screw fitting material:	1.4571	1.4571
Order length:	L	L1
Data sheet (suitable thermowell models):	8.8110 (SF4), 8.8112 (SF4F) 8.8120 (SF5), 8.8121(SF6+SF7)	8.8110 (SF4), 8.8112 (SF4F) 8.8120 (SF5), 8.8121(SF6+SF7)

Thread (dimension in mm):

G	SW1	SW2	i	Lk
G 1/2 B	27	22	14	42
G 3/4 B	32	22	16	42
1/2" NPT	27	22	19	42
3/4" NPT	27	22	19	42
M 20 x 1.5	27	22	14	42

G1	G2	SW1	SW2	i	Lv
G 1/2 B	G 1/2 B	27	27	14	28
G 3/4 B	G 1/2 B	32	27	16	28
1/2" NPT	G 1/2 B	27	27	19	28
3/4" NPT	G 1/2 B	27	27	19	28
M 20 x 1.5	M 20 x 1.5	27	27	14	28
M 24 x 1.5	M 20 x 1.5	32	27	14	28
M 27 x 2	M 20 x 1.5	32	27	16	28

Minimum Stem Length and Active Length

			Stem-Ø dF (mm):						The minimum length Lmin / L1min of the stem is the smallest possible stem length depending on the active length La (sensitive portion) and the stem model. The active length La of the stem has to immerse completely into the medium, to grant a measuring result, which corresponds to the accuracy class.
			6			8			
			Span (temperature difference) ΔT ¹⁾						
Stem model:	Length:	Thread:	≥ 100 K	= 80 K	= 60 K	≥ 80 K	= 60 K		
all models	La	all standard threads	40	60	70	40	60		
B1 B4	Lmin	all standard threads	45	65	75	45	65		
B3	Lmin	all standard threads	52	72	82	52	72		
B4.1	Lmin	all standard threads	60	80	90	60	80		
B5	Lmin	all standard threads	95	115	125	95	115		
B6	L1min	all standard threads	60	80	90	60	80		
others			upon request			upon request			

¹⁾ The temperature difference ΔT = 60 K corresponds to e.g. the temperature range 0/60 °C, but also -20/40 °C, see table on page 4

Ordering Information with Indication- and Temperature Ranges, Options

Basic Model: Bimetal thermometers with rigid mount to stem		TBiSch	
Case filling:	without	without code letters	
Nominal case size:	case-Ø 63, 100, 160 (mm) (2½", 4", 6")	63, 100, 160	
Stem position / case configuration:	vertical bottom position	without code letters	
	centre back position	rm	
	centre back position, back flange for surface mounting	rmRh	
Temperature ranges:	ΔT (K):		
	0 — 60 °C	60	
	0 — 80 °C	80	
	0 — 100 °C	100	e. g. 0-100 °C
	0 — 120 °C	120	
	0 — 160 °C	160	
	0 — 200 °C	200	
	0 — 250 °C	250	
	0 — 300 °C	300	
	0 — 400 °C	400	
	0 — 500 °C	500	
	0 — 600 °C	600	
	—50 / +50 °C	100	
	—40 / +40 °C	80	
	—40 / +60 °C	100	
	—30 / +50 °C	80	e. g. -30/+50 °C
	—30 / +70 °C	100	
	—20 / +40 °C	60	
	—20 / +60 °C	80	
	—20 / +80 °C	100	
	+50 / +300 °C	250	
Stem:	without screw fitting, plain stem	B1	
	union nut	B3	
	male thread, turnable	B4	
	male thread, rigid	B4.1	
	male thread / compression fitting	B5	
	male thread, turnable / double male adapter	B6	
Stem-Ø dF:	6 or 8 mm	dF 6, 8	
Stem length:	L resp. L1 in mm	e. g. L = 100 mm	
Process connection:	see page 3	e. g. G ½ B	
Options:	red mark	on the dial	
	plastic clip	red or green external at bayonet ring for NCS 100 and 160	
	window	laminated safety glass	
		acrylic glass (PMMA)	
		polycarbonate (PC)	
	case polished		
	bayonet ring polished		
	neck tube for stem B4.1 and centre back connection		(order at the moment still as cleartext)
	stem- Ø dF 10 mm		
	stem length > 400 mm, max. 800 mm		
measuring point marking	stainless steel-plate 12 mm x 55 mm (0.47" x 2.17"), wire mounting or sticker on case coverage		

Example:

TBiSch 160rm, 0-100 °C, B3, dF 6, L = 100 mm, G ½

Special Versions: Please describe your requirements clearly