

Bayonet ring case stainless steel

Standard Versions

Information on general and metrological features (temperature resistance) and temperature ranges / error limits / smallest subdivision can be found in model overview 8000.

Measuring Unit

With nitrogen filling
(inert gas, physiological harmless)

Accuracy (EN 13 190)

Class 1

Case

With bayonet ring, 1.4301 (304 stainless steel)

Case Protection Type (EN 60 529 / IEC 529)

IP 65

Nominal Case Sizes

100, 160 (mm) (4", 6")

Case Configuration

Connection temperature

sensor (stem): rigid mount

Stem position: backsided ambient temperature stem

Mounting device: back flange for surface mounting,
with distance bolts to the case
see page 2

Temperature Ranges

-40 / +40 °C

-40 / +60 °C

-30 / +50 °C

-20 / +60 °C

Window

Instrument glass

Movement

Brass / German silver

Dial

Aluminum, black figures, white background

Pointer

Aluminum, black

Zero Adjustment ($\pm 6\%$)

Externally by a screw



Ordering Information, Standard Temperature Ranges, Options

See page 2

Special Versions and further Options among others

- Other temperature ranges and/or special scales, e.g. double scale °C/°F, coloured fields or areas, dial inscriptions, etc.
- Case parts 1.4404 (316 L stainless steel) upon request
- GOST-version for Russia, Ukraine, Kazakhstan

Accessories

electrical: limit switch contact assemblies,
see catalogue heading 9.1



Sales and Export South, West, North

ARMATURENBAU GmbH

Manometerstraße 5 • D-46487 Wesel - Ginderich
Tel.: +49 (0) 28 03 / 91 30-0 • Fax: +49 (0) 28 03 / 10 35
armaturenbau.com • mail@armaturenbau.com

Subsidiary Company, Sales and Export East

MANOTHERM Beierfeld GmbH

Am Gewerbepark 9 • D-08344 Grünhain-Beierfeld
Tel.: +49 (0) 37 74 / 58-0 • Fax: +49 (0) 37 74 / 58-545
manotherm.com • mail@manotherm.com

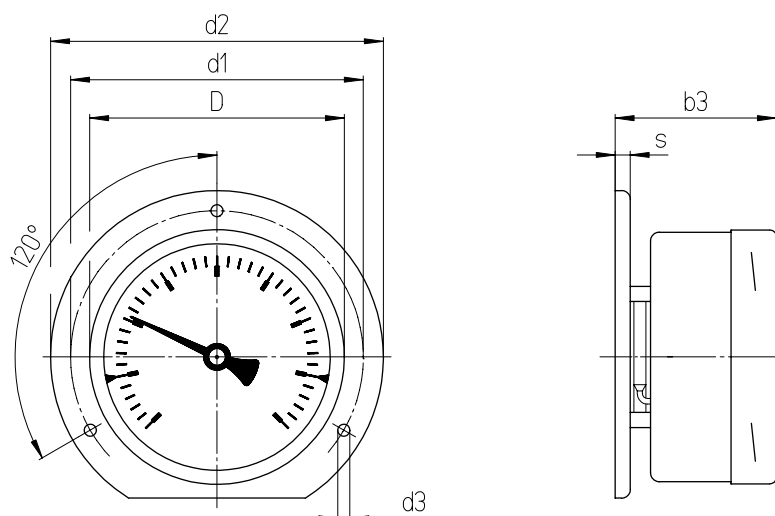
8293

10/14

Stem Position, Dimensional Data and Weights, Ordering Information with Ranges, Options

Stem Position of backsided Temperature Stem

no additional code letter



| Dimensional Data (mm / inches) and Weights (kg / lb) | | | | | | | |
|---|------|------|------|------|-----|-----|------------------------|
| NCS | b3 | D | d1 | d2 | d3 | s | approx. weight TRCh |
| 100 | 64 | 101 | 116 | 132 | 4.8 | 6 | 0.52 |
| 4" | 2.52 | 3.98 | 4.57 | 5.2 | .18 | .24 | 1.14 |
| 160 | 63.5 | 161 | 163 | 196 | 5.8 | 6 | 0.88 |
| 6" | 2.5 | 6.34 | 6.42 | 7.72 | .23 | .24 | 1.94 |

Ordering Information with Indication- and Temperature Ranges, Options

| Basic Model: | Ambient temperature thermometer | TRCh |
|--------------------|---|---|
| Case filling: | without | without code letters |
| Nominal case size: | case-Ø 100, 160 (mm) (4", 6") | 100, 160 |
| Pressure ranges: | -40 / +40 °C | |
| | -40 / +60 °C | |
| | -30 / +50 °C | -30 / +50 °C |
| | -20 / +60 °C | |
| Options: | red mark on the dial | <i>(order at the moment still as cleartext)</i> |
| | plastic clip red or green external at the bayonet ring | |
| | stationary red pointer on the dial adjustable when removable ring | |
| | case polished | |
| | bayonet ring polished | |
| | measuring point marking stainless steel plate 12mm x 55mm (0.47" x 2.17") wire mounting or sticker on case coverage | |

Example: TRCh 100, -30 / +50°C

Special Versions: Please describe your requirements clearly

© 2014 ARMATURENBAU GmbH and MANOTHERM Beierfeld GmbH · Technical changes, replacement of materials and printing errors excepted!