

Gas-Actuated Thermometers, every angle

TGelCh

Bayonet ring case stainless steel with limit switch contact assembly

This data sheet contains information on the number of the maximum possible contacts, the electrical connections, the ordering information and the options of model TGelCh with limit switch contact assembly with standard-/ magnetic-, electronic or inductive contacts, furthermore dimensional drawings with the position of the electrical connections.

Data sheet 8211 contains all details of the available versions of the model TGelCh without limit switch contact assembly. These information as well as the required ordering information are also valid for the version with limit switch contact assembly, as far as not described differently.

In **model overview 9.1000** definitions, applications and functions of the particular models of limit switch contact assemblies are described generally and in detail. It also contains comprehensive information on the selection, switching functions and minimum spans, operating conditions, Ex-protection, options and others.



Standard Versions

Available limit switch contact assemblies

1. **Direct** (electromechanical)
 - 1.1 Standard contact **S**
 - 1.2 Magnetic contact **M**
2. **Indirect** (contactless)
 - 2.1 Electronic contact **E**
 - 2.2 Induktive contact **I**
 - 2.3 Pneumatic contact **P** upon request

Number of the maximum possible contacts

	NCS 100	NCS 160
up to 3 x S	○	○
4 x S ¹⁾	upon request	○
up to 3 x M	○	○
4 x M ¹⁾	upon request	○
up to 3 x E	○	○
4 x E	upon request	upon request
up to 3 x I	○	○
4 x I	upon request	upon request

○ = available

¹⁾ alternatively as double change-over contact

Case Protection Type (EN 60 529 / IEC 529)

IP 65

Nominal Case Size

100, 160 (mm) (4", 6")

Window

Polycarbonate

Adjusting Mechanism Limit Setting Pointer

All instruments have an adjustable lock in the window. The limit setting pointer is set to the value at which the switching operation should happen, externally by the removable key.

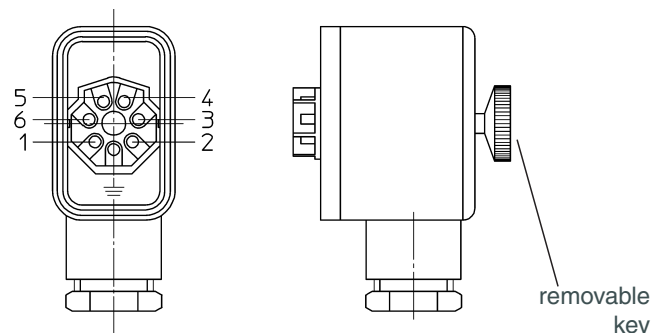
Electrical Connection

- for limit switch contact assembly (S/M): plug connector
- for limit switch contact assembly (E) : cable connection box black
- for limit switch contact assembly (I) : cable connection box blue, for identification of an intrinsically safe circuitry, otherwise as E

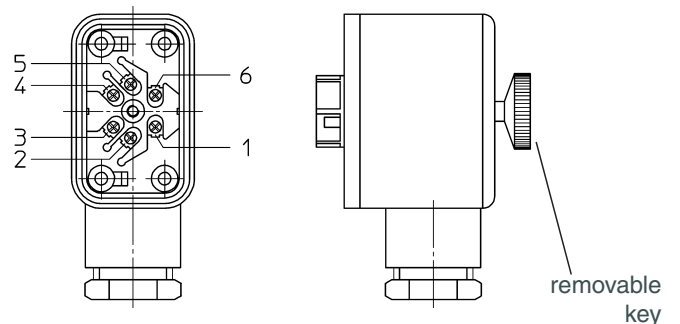
Plug Connector and Cable Connection Box

IP 65, 6-pin, with M 20 x 1.5 screwed cable gland with pull relief, terminals numbered according to wiring diagram (at the instrument), protective contact available

Plug Connector



Cable Connection Box



The position of the electrical connection can be seen on the dimensional drawings, see page 2 and page 4 (cable entry).



Sales and Export South, West, North

ARMATURENBAU GmbH

Manometerstraße 5 • D-46487 Wesel - Ginderich
Tel.: +49 (0)28 03/91 30-0 • Fax: +49 (0)28 03/10 35
armaturenbau.com • mail@armaturenbau.com

Subsidiary Company, Sales and Export East

MANOTHERM Beierfeld GmbH 8211.90

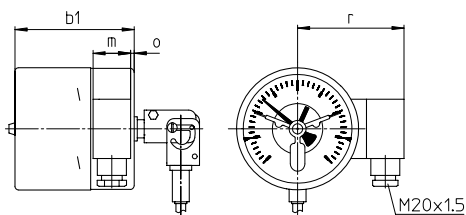
Am Gewerbepark 9 • D-08344 Grünhain-Beierfeld
Tel.: +49 (0)37 74/58-0 • Fax: +49 (0)37 74/58-545
manotherm.com • mail@manotherm.com

Case Configurations, Code Letters, Dimensional Data and Weights

Compared to the basic models there are deviations in the front-to-back size, see table.
The remaining dimensions can be seen on data sheet 8211.

Centre back stem position with pivot / every angle

without code letters



Dimensional Data (mm / inches) and Weights (kg / lb)

NCS/Model	b1	m	o	r	approx. weight ¹⁾ TGeICh
100 1, 2 and 3 contacts	99 3.9	31 1.22	3 0.12	94 3.7	0.95 2.09
100 4 contacts	106 4.17	31 1.22	3 0.12	94 3.7	0.95 2.09
160 all limit switch contact assemblies with 1 and 2 contacts (I11, I22, see next line)	105 4.13	31 1.22	6 0.24	121 4.76	1.45 3.2
160 all limit switch contact assemblies with 3 and 4 contacts and I11 and I22	115 4.53	31 1.22	6 0.24	121 4.76	1.50 3.3

¹⁾ The information is an example and relates to model TGeICh, A3, dF 12, L = 200 mm, G½, E12 resp. M1221

Ordering Information, Limit Setting Pointer

Basic Model: Gas-actuated thermometers with pivot / every angle with limit switch contact assembly TGeICh

Ordering information	
When installing limit switch contact assemblies, the ordering code of the basic model is extended by	
code letters	S standard contact M magnetic contact e.g. M E electronic contact I inductive contact
code number	1 making contact
for switching function	2 breaking contact z.B. 2
(clockwise direction of action, that means for pressure gauges at rising pressure)	3 single change-over contact as standard or magnetic contact
	11 1. and 2. making contact
	12 1. making contact / 2. breaking contact
	21 1. breaking contact / 2. making contact
	22 1. and 2. breaking contact
	33 double change-over contact as standard or magnetic contact
Details	For an optimal function of the instruments with limit switch contact assemblies you have to add the following to the ordering information: - switching temperature(s) - switching range(s) that are beyond the adjustment ranges that are defined by us - if an anticlockwise switching direction is requested Information on limit switch contact assemblies with 3 or 4 contacts see below
Options	for all limit switch contact assembly models adjustable lock with non-removable key limit switch contact assembly with pneumatic contact or micro switch upon request switching distance fixing (2 contacts and above) upon request S/M contacts separated circuitries wire break control (parallelly switched resistor for each contact) contact pins made of special materials upon request E-contacts PNP switching output as 2-wire connection I-contacts safety version SN or S1N interval switching reactionless for NCS 160 with 2 contacts, interval relay required options of electrical connection see page 4 other position of the electrical connection upon request
	<i>(order at the moment still as clear text)</i>

Example: TGeICh 100, 0 - 250 °C, A4, dF 12, L = 150 mm, G½, M12

Information on limit switch contact assemblies with 3 and 4 contacts

Compared to thermometers with 2 contacts the limit setting pointers of thermometers with 3 or 4 contacts are not adjustable one above the other in every case.

Model Limit switch contact assembly	3 limit setting pointers		4 limit setting pointers	
	NCS 100	NCS 160	NCS 100	NCS 160
S, M	adjustment one above the other		only 3 adjustable one above the other in each case	
E, I	only 2 adjustable one above the other in each case		only the two pointers in the middle adjustable one above the	only 3 adjustable one above the other in each case

Switching functions

The limit setting pointers, that are not adjustable one above the other for limit switch contact assemblies with 3 or 4 contacts are separated by a point when indicating the switching function.

Example: M 222.1 4-fold; 3rd and 4th limit setting pointer not adjustable one above the other
E 1.22.1 4-fold; only the two pointers in the middle are adjustable one above the other

Minimum distance of the not adjustable (one above the other) pointers in angular degrees

Model Limit switch contact assembly	NCS 100	NCS 160
S, M	15	10
E, I	35	28

Options

Electrical Connection

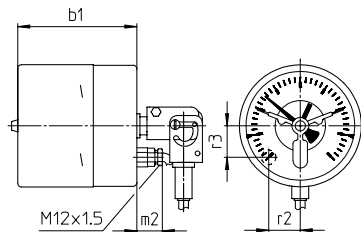
Cable entry

- IP 65
- cable entry M 12 x 1.5 with pull relief and 1 m connection cable
- available for max. 4 x S / M

more than 1 m connection cable upon request

Centre Back Stem Position with pivot / every angle

without code letters



Dimensional Data (mm / inches) and Weights (kg / lb)

NCS/model	b1	m2	r2	r3	r6	approx.weight ¹⁾ TSCh
100 1, 2 and 3 contacts	99 / 3.9	21 / 0.83	26 / 1.02	26 / 1.02	21 / 0.83	0.95 / 2.09
100 4 contacts	106 / 4.17	21 / 0.83	26 / 1.02	26 / 1.02	21 / 0.83	0.95 / 2.09
160 all limit switch contact assemblies with 1 and 2 contacts	105 / 4.13	21 / 0.83	36 / 1.42	50 / 1.97	18 / 0.71	1.45 / 3.2
160 all limit switch contact assemblies with 1 and 2 contacts	115 / 4.53	21 / 0.83	36 / 1.42	50 / 1.97	18 / 0.71	1.50 / 3.3

¹⁾ The information is an example and related to model TGeICh, A3, dF 12, L = 200 mm, G½, M12 resp. M1122