

Bourdon Tube Test Gauges in portable case

NCS: 160 Accuracy:
Class 0.6 EN 837-1

Model **RFPB**

Application

Portable gauges for pressure measurement of gaseous or liquid media that do not corrode copper alloys respectively stainless steel 1.4571 (316 L – option) and monitoring of pressure gauges by connection to pressure gauge valve with test connection M 20x1.5, test connection 60 x 25 x 10 or circular test flange.

Pressure ranges calibrated up to 0 – 25 bar (0 – 300 psi) for gaseous media, dial inscription "G", for 0 – 40 bar (0 – 600 psi) and above calibrated for liquid media, dial inscription "F".

Nominal Case Size (NCS)

160 mm (6")

Accuracy (EN 837-1)

Class 0.6

Pressure Ranges (EN 837-1)

0 – 0.6 to 0 – 600 bar (0 – 10 to 0 10,000 psi)
also corresponding vacuum / and compound ranges

Pressure Limitation

Steady load: full scale value
Dynamic load: 90% of full scale value
Overload: 1.3 x full scale value

Case Protection Type

IP 54

Further information on advantages, pressure limitations, temperature resistance, metrological features and pressure ranges of the available bourdon tube test gauges models class 0.6 according to EN 837-1 can be found in **model overview 2000**.

Standard Version

Connection

Lateral at 3 o'clock, angle pressure gauge valve with 2 clamping sleeves M20x1.5 female and accessories

Wetted Parts

Order code – 1: connection:= brass

bourdon tube:

≤ 40 bar (600 psi) = bronze, c-form, soft-soldered
60 bar (800 psi) = copper-beryllium, c-form,
silver brazed
≥ 100 bar (1,500 psi) = 1.4571 (316 stainless steel),
helical, silver brazed

Movement

Brass / German silver

Dial

Aluminum, white, scaling black

Pointer

Knife edge pointer, aluminum, black

Case and Ring

Steel black, tight bayonet ring

Window

Instrument glass



Accessories (included in delivery)

- 1 portable case 400 x 380 x 100 plastic black
- 1 fitting M 20 x 1.5 / test flange 60 x 25 x 10
- 2 fixing screws M 8
- 2 hexagon nuts M 8
- 2 mounting spacers
- 2 flat sealings Cu
- bracket for circular test flange

Options among others

- test certificate 3.1 according to EN 10204 for accuracy
- case stainless steel, model RFPCh 160-1
- wetted parts 1.4571, angle pressure gauge valve and accessories made of 1.4571, models RFPB 160 – 3 or RFPCh 160 – 3

Special Versions

- special adjustment, e.g. up to 0 – 160 bar (0 – 2,000 psi) with air, dial inscription G, upon request
- 0 – 1,000 bar, 0 – 1,600 bar upon request

Ordering Information:

Basic model/
nominal case size: **RFPB 160**
RFPCh 160

Order code for
wetted material: – 1 (standard)
– 3 (option)

Pressure range: according to EN 837-1, e.g. **0 – 6 bar**
(compare model overview 2000)

Special versions: (see above)

Examples:

- RFPB 160 – 1, 0 – 6 bar
- RFPCh 160 – 3, -1/+9 bar



Sales and Export South, West, North

ARMATURENBAU GmbH
Manometerstraße • D-46487 Wesel-Ginderich
Phone: +49 (0) 2803/9130-0 • Fax: +49 (0) 2803/1035
armaturenbau.com • mail@armaturenbau.com



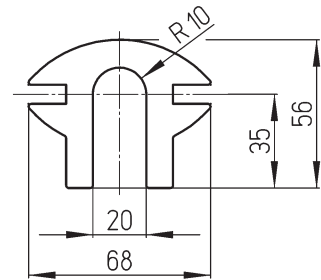
Subsidiary Company, Sales and Export East

MANOTHERM Beierfeld GmbH
Am Gewerbepark 9 • D-08344 Grünhain-Beierfeld
Phone: +49 (0) 3774/58-0 Fax: +49 (0) 3774/58-545
manotherm.com mail@manotherm.com

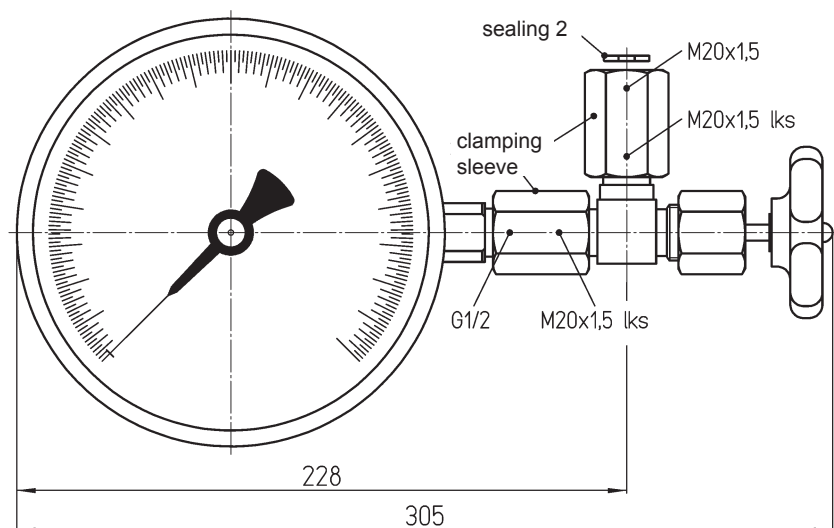
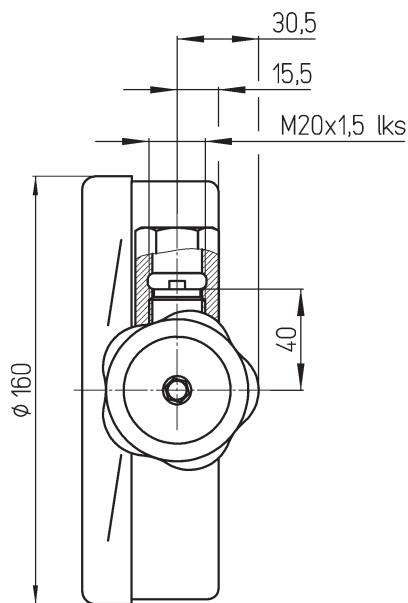
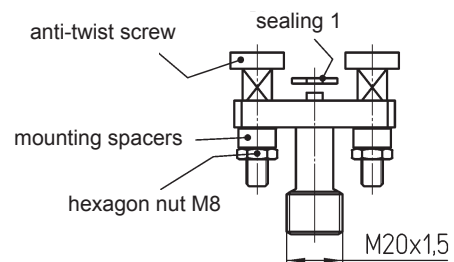
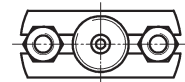
2102
04/14

Dimensional Data and Weights, Accessories

Bracket
additional to fitting
for connection to circular
test flange



Fitting
for connection to
test flange 60 x 25 x 10



Weights (approx.): 1.60 kg (3.5 lb) pressure gauge RFPB 160
 3.20 kg (7.1 lb) accessories (with pressure gauge valve and clamping sleeves M 20x1.5)
 1.20 kg (2.6 lb) case (empty)
6.0 kg (13.2 lb) total

Our instruments are constantly refined, therefore changes are excepted.