



SLK

SERIES

SAFETY VALVES



SLK SERIES

TABLE OF CONTENTS

ST. STEEL / CARBON STEEL VERSION

| | |
|--------------|--------------|
| Introduction | Page 1 |
| Type A | Page 2 - 3 |
| Type B | Page 4 - 5 |
| Type C | Page 6 - 7 |
| Type D | Page 8 - 9 |
| Type I | Page 14 - 15 |

COPPER ALLOY VERSION

| | |
|--------|--------------|
| Type E | Page 10 - 11 |
| Type F | Page 12 - 13 |
| Type H | Page 16 ÷ 23 |

Relief Valves SLK-Series are spring loaded pressure relieving devices, suitable for discharge of compressible fluids. SLK-series safety valves are used to protect personnel and equipment by preventing excessive pressure accumulation.

Coi Technology offers a large range of screwed and flanged valves in a variety of sizes, materials and options. The valves are of a full nozzle type and available in copper alloy or steel versions.

Application

- Air Compressors
- Steam generators / Boilers
- Autoclaves
- Technical gases
- Natural gas and technical gas compressors

Materials

AISI 316L, Brass, Bronze, Carbon steel, Duplex, Monel.

Design

- Construction: Carried exhaust and free discharge
- Seat sealing type: PTFE, PEEK, Metal to Metal, Viton, Nbr, Kalrez, EPDM
- Connections: Screwed and flanged (ANSI / DIN)
- Connections types: NPT, GAS/BSPP
- Flange ratings: ASME 150 ÷ 2500 / PN16 ÷ PN 400
- Sizes: 1/2" ÷ 2" / DN 15 ÷ DN 50
- Orifices: 6, 8, 10, 14, 20, 25, 30, 38 mm
- Characteristic: Full lift
- Overpressure: 10%
- Blowdown: 15%
- Discharge coeff. Kd: 0.94
- Temperature range: -196°C + 350°C
- Set pressure range: 0.5 ÷ 690 barg (steel version)
- Set pressure range: 0.5 ÷ 50 barg (Brass version)
- Design standard EN 4126-1

Approvals

- CE marking according to 97/23/CE (PED) mod. H1
- ATEX 94/9 CEM

TYPE "A"

MATERIALS

DESCRIPTION

SLK-Series is a direct loaded, carried exhaust and full lift safety valve manufactured with high quality materials which complies with the strictest international standards.

PART CODE DESCRIPTION

SLK C - xx AI xx - xxx



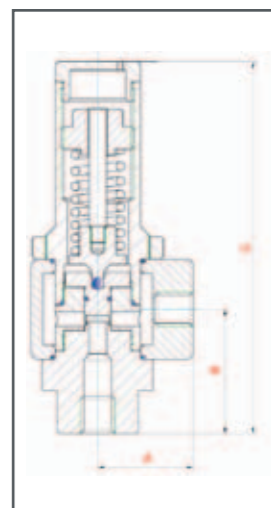
CHARACTERISTICS

| | |
|----------------------------|------------------------|
| Orifice diameter | 6 mm |
| Orifice area | 0.28 cm ² |
| Inlet connection | 1/4" - 1/2" |
| Outlet connection | 1/4" - 1/2" |
| ND inlet max. | 15 mm |
| ND outlet | 15 mm |
| Setting range | 0,5 bar - 650 bar |
| Discharge coefficient kd | 0,94 |
| Lift to discharge pressure | 2.7 mm |
| Overpressure | 10% |
| Blowdown | 15% |
| Temperature range | from -45° C to +200° C |
| Fluids | Gas |

TYPE APPROVAL

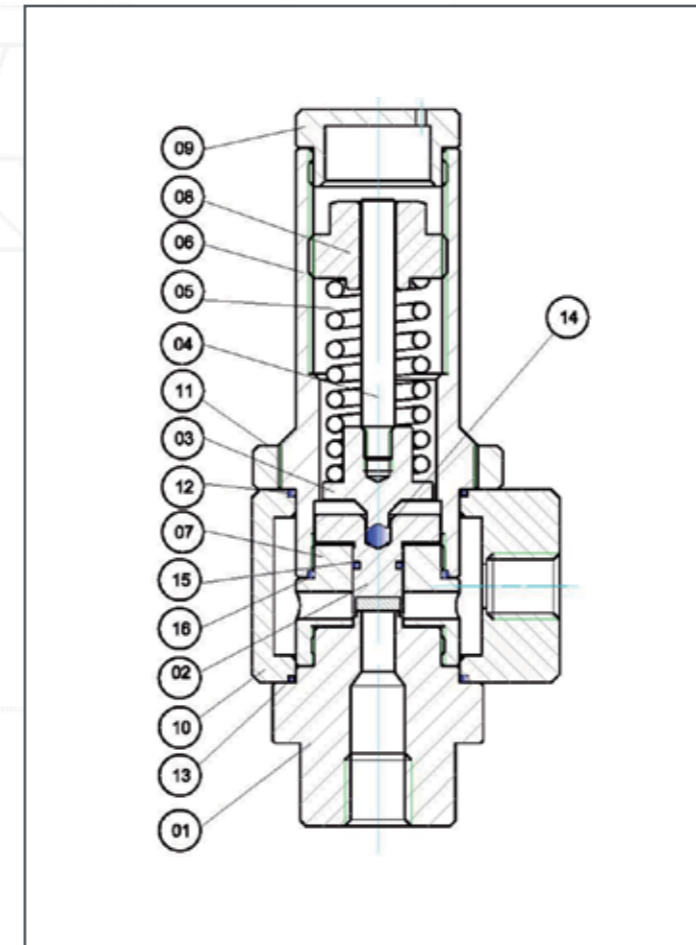
DIR. 97/23/CE - PED - H1 CERT. N° 01 202 IT/Q-12 1280 / Approval SLK series P 281 12 1118/d / Standard EN 4126-1

ISO 9001:2008 CERT. N° 01 100 125538



DIMENSIONS

| XX=Orifice | XX=Specification | Connections type | | A mm | B mm | C mm | WEIGHT kg |
|------------|------------------|------------------|-----------------|---------|---------|---------|--------------|
| | | in | out | | | | |
| 06 | 01 | 1/2" NPT-F | | 33 | 43.5 | 130 | 1,0 |
| 06 | 10 | 1/4" NPT-F | 1/4"-1/2" NPT-F | | | | |
| 06 | 14 | 1/2" NPT-F | GAS-F | | | | |
| 06 | 38 | 1/4" NPT-F | | | | | |



PART NAME MATERIAL CODE

| PART NAME | MATERIAL CODE | |
|-----------------|----------------|----------------|
| | 011 | 012 |
| 01 NOZZLE | AISI 316L | AISI 316L |
| 02 DISC | AISI 316L/PTFE | AISI 316L/PEEK |
| 03 LOWER WASHER | AISI 316L | AISI 316L |
| 04 STEM | AISI 316L | AISI 316L |
| 05 SPRING | ALL. STEEL | ALL. STEEL |
| 06 BONNET | AISI 316L | AISI 316L |
| 07 GUIDE | AISI 316L | AISI 316L |
| 08 SET SCREW | AISI 316L | AISI 316L |
| 09 CAP | AISI 316L | AISI 316L |
| 10 BODY | AISI 316L | AISI 316L |
| 11 LOCK NUT | AISI 316L | AISI 316L |
| 12 BALL | VITON | VITON |
| 13 GASKET | VITON | VITON |
| 14 BALL | AISI 316 | AISI 316 |
| 15 GASKET | VITON | VITON |
| 16 GASKET | VITON | VITON |

TYPE "B"

MATERIALS

DESCRIPTION

SLK-Series is a direct loaded, carried exhaust and full lift safety valve manufactured with high quality materials which complies with the strictest international standards.

PART CODE DESCRIPTION

SLK C - xx BI xx - xxx



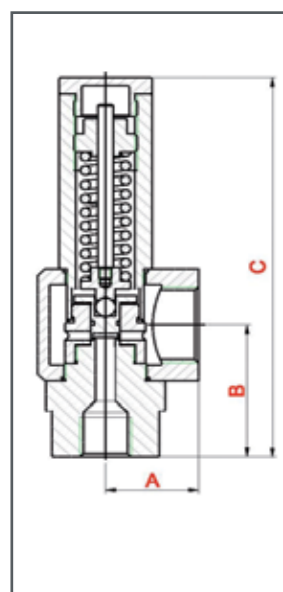
CHARACTERISTICS

| | | |
|----------------------------|------------------------|------------------------|
| Orifice diameter | 08 mm | 10 mm |
| Orifice area | 0.502 cm ² | 0.785 cm ² |
| Inlet connection | 1/2" - 3/4" - 1" | 1/2" - 3/4" - 1" |
| Outlet connection | 1" | 1" |
| ND inlet max. | 25 mm | 25 mm |
| ND outlet | 25 mm | 25 mm |
| Setting range | 0,5 bar - 450 bar | 0,5 bar - 380 bar |
| Discharge coefficient kd | 0,94 | 0,94 |
| Lift to discharge pressure | 3.5 mm | 4.5 mm |
| Overpressure | 10% | 10% |
| Blowdown | 15% | 15% |
| Temperature range | from -45° C to +200° C | from -45° C to +200° C |
| Fluids | Gas | Gas |

TYPE APPROVAL

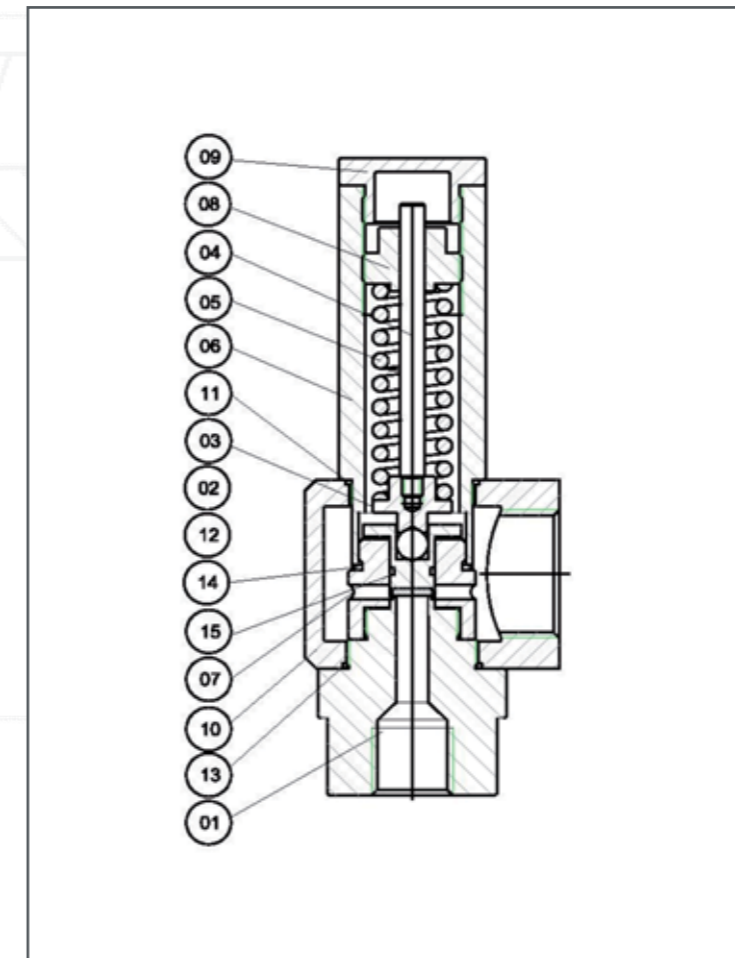
DIR. 97/23/CE - PED - H1 CERT. N° 01 202 IT/Q-12 1280 / Approval SLK series P 281 12 1118/d / Standard EN 4126-1

ISO 9001:2008 CERT. N° 01 100 125538



DIMENSIONS

| XX=Orifice | XX=Specification | Connections type | | A mm | B mm | C mm | WEIGHT kg |
|------------|------------------|------------------|------------------|---------|---------|---------|--------------|
| | | in | out | | | | |
| 08 | 04 | 1/2" NPT-M | 1" NPT-F / GAS-F | 37 | 55 | 162 | 2,5 |
| 08 | 44 | 3/4" NPT-F | | | | | |
| 08 | 35 | 3/4" NPT-F | | | | | |
| 10 | 6A | 3/4" NPT-F | | | | | |
| 10 | 95 | 3/4" NPT-F | | | | | |



PART NAME

MATERIAL CODE

| | | 011 | 012 | 038 | 055 |
|----|--------------|----------------|----------------|----------------|----------------|
| 01 | NOZZLE | AISI 316L | AISI 316L | AISI 316L | AISI 316L |
| 02 | DISC | AISI 316L/PTFE | AISI 316L/PEEK | AISI 316L/PEEK | AISI 316L/PTFE |
| 03 | LOWER WASHER | AISI 316L | AISI 316L | AISI 316L | AISI 316L |
| 04 | STEM | AISI 316L | AISI 316L | AISI 316L | AISI 316L |
| 05 | SPRING | ALL. STEEL | ALL. STEEL | ALL. STEEL | ALL. STEEL |
| 06 | BONNET | AISI 316L | AISI 316L | CARB. STEEL | CARB. STEEL |
| 07 | GUIDE | AISI 316L | AISI 316L | AISI 316L | AISI 316L |
| 08 | SET SCREW | AISI 316L | AISI 316L | AISI 316L | AISI 316L |
| 09 | CAP | AISI 316L | AISI 316L | CARB. STEEL | CARB. STEEL |
| 10 | BODY | AISI 316L | AISI 316L | AISI 316L | AISI 316L |
| 11 | GASKET | VITON | VITON | VITON | VITON |
| 12 | BALL | AISI 316 | AISI 316 | AISI 316 | AISI 316 |
| 13 | GASKET | VITON | VITON | VITON | VITON |
| 14 | GASKET | VITON | VITON | VITON | VITON |
| 15 | GASKET | VITON | VITON | VITON | VITON |

TYPE "C"

MATERIALS

DESCRIPTION

SLK-Series is a direct loaded, carried exhaust and full lift safety valve manufactured with high quality materials which complies with the strictest international standards.

PART CODE DESCRIPTION

SLK C - xx CI xx - xxx

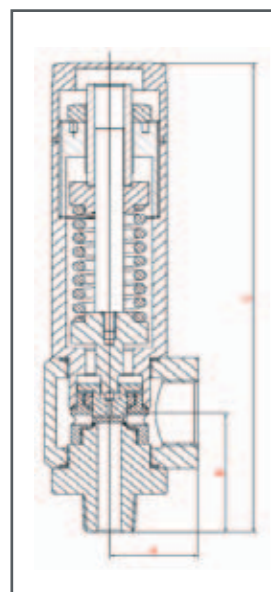


CHARACTERISTICS

| | | |
|----------------------------|-------------------------|-------------------------|
| Orifice diameter | 10 mm | 14 mm |
| Orifice area | 0.785 cm ² | 1.54 cm ² |
| Inlet connection | 1/2" - 3/4" - 1" | 3/4" - 1" |
| Outlet connection | 1" | 1" |
| ND inlet max. | 25 mm | 25 mm |
| ND outlet | 25 mm | 25 mm |
| Setting range | 0,5 bar - 380 bar | 0,5 bar - 180 bar |
| Discharge coefficient kd | 0,94 | 0,94 |
| Lift to discharge pressure | 4.5 mm | 6.5 mm |
| Overpressure | 10% | 10% |
| Blowdown | 15% | 15% |
| Temperature range | from -196° C to +200° C | from -196° C to +200° C |
| Fluids | Gas | Gas |

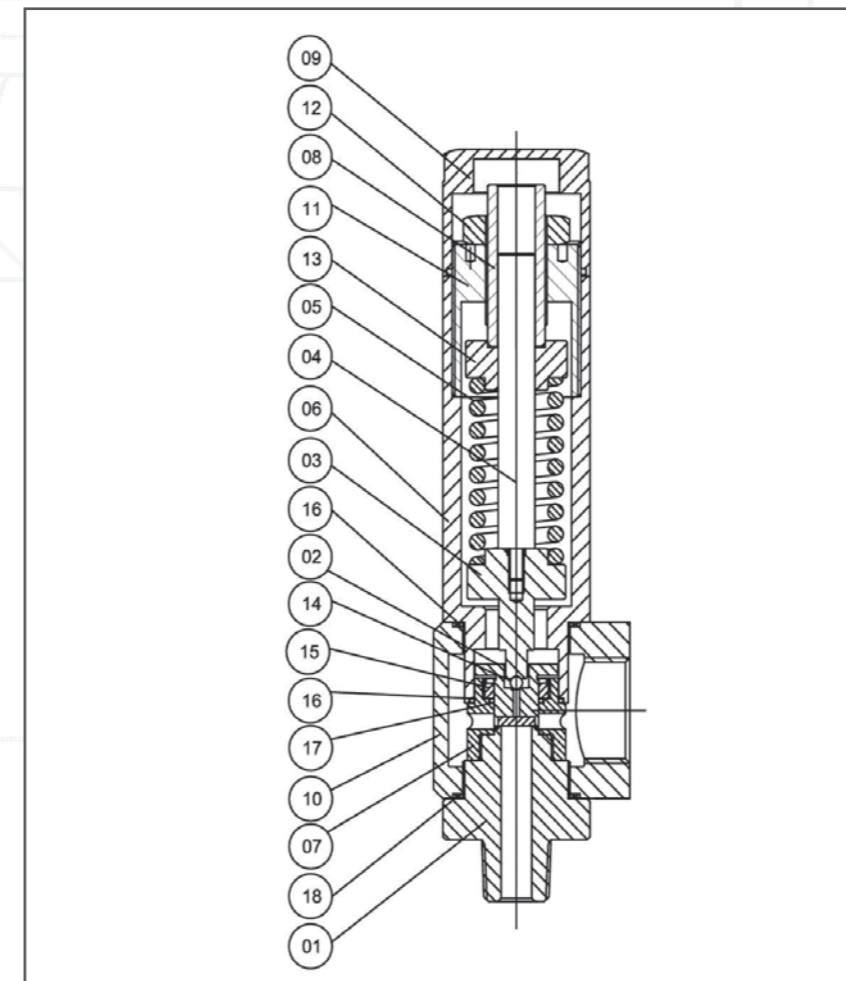
TYPE APPROVAL

DIR. 97/23/CE - PED - H1 CERT. N° 01 202 IT/Q-12 1280 / Approval SLK series P 281 12 1118/d / Standard EN 4126-1
 ISO 9001:2008 CERT. N° 01 100 125538



DIMENSIONS

| XX=Orifice | XX=Specification | Connections type | | A mm | B mm | C mm | WEIGHT kg |
|------------|------------------|------------------|-------------|---------|---------|---------|--------------|
| | | in | out | | | | |
| 10 | 03 | 1/2" NPT-M | 1" NPT-F | 37 | 72 | 248 | 3,0 |
| 10 | 26 | 1/2" NPT-F | | | | | |
| 10 | 07 | 3/4" NPT-F | | | | | |
| 14 | 03 | 3/4" NPT-F | | | | | |
| 14 | 42 | 3/4" NPT-F | | | | | |



| | PART NAME | MATERIAL CODE | | | |
|----|-----------------|----------------|----------------|----------------|----------------|
| | | 055 | 038 | 011 | 012 |
| 01 | NOZZLE | AISI 316L | AISI 316L | AISI 316L | AISI 316L |
| 02 | DISC | AISI 316L/PTFE | AISI 316L/PEEK | AISI 316L/PTFE | AISI 316L/PEEK |
| 03 | LOWER WASHER | CARBON. STEEL | CARBON. STEEL | AISI 316L | AISI 316L |
| 04 | STEM | BRASS | BRASS | AISI 316L | AISI 316L |
| 05 | SPRING | ALL. STEEL | ALL. STEEL | AISI 316 | AISI 316 |
| 06 | BONNET | CARBON. STEEL | CARBON. STEEL | AISI 316L | AISI 316L |
| 07 | GUIDE | BRASS | BRASS | AISI 316L | AISI 316L |
| 08 | SET SCREW | BRASS | BRASS | AISI 316L | AISI 316L |
| 09 | CAP | CARBON. STEEL | CARBON. STEEL | AISI 316L | AISI 316L |
| 10 | BODY | CARBON. STEEL | CARBON. STEEL | AISI 316L | AISI 316L |
| 11 | PRE SETT. SCREW | BRASS | BRASS | BRASS | BRASS |
| 12 | NUT | BRASS | BRASS | AISI 316L | AISI 316L |
| 13 | UPER WASHER | CARBON. STEEL | CARBON. STEEL | AISI 316L | AISI 316L |
| 14 | BALL | AISI 316 | AISI 316 | AISI 316 | AISI 316 |
| 15 | NUT | BRASS | BRASS | AISI 316L | AISI 316L |
| 16 | GASKET | VITON | VITON | VITON | VITON |
| 17 | GASKET | VITON | VITON | VITON | VITON |
| 18 | GASKET | VITON | VITON | VITON | VITON |
| 19 | GASKET | VITON | VITON | VITON | VITON |

TYPE "D"

MATERIALS

DESCRIPTION

SLK-Series is a direct loaded, carried exhaust and full lift safety valve manufactured with high quality materials which complies with the strictest international standards.

PART CODE DESCRIPTION

SLK C - xx DI xx - xxx

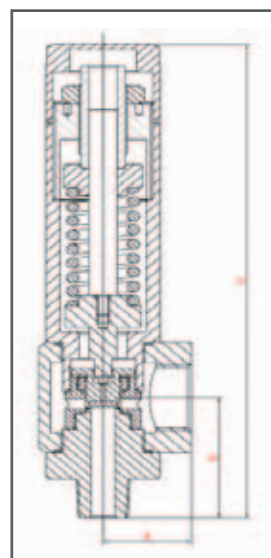


CHARACTERISTICS

| | | |
|----------------------------|------------------------|------------------------|
| Orifice diameter | 10 mm | 14 mm |
| Orifice area | 0.785 cm ² | 1.54 cm ² |
| Inlet connection | 1/2" - 3/4" - 1" | 3/4" - 1" |
| Outlet connection | 1 1/2" | 1" |
| ND inlet max. | 25 mm | 25 mm |
| ND outlet | 25 mm | 25 mm |
| Setting range | 0,5 bar - 380 bar | 0,5 bar - 180 bar |
| Discharge coefficient kd | 0,94 | 0,94 |
| Lift to discharge pressure | 4.5 mm | 6.5 mm |
| Overpressure | 10% | 10% |
| Blowdown | 15% | 15% |
| Temperature range | from -45° C to +200° C | from -45° C to +200° C |
| Fluids | Gas | Gas |

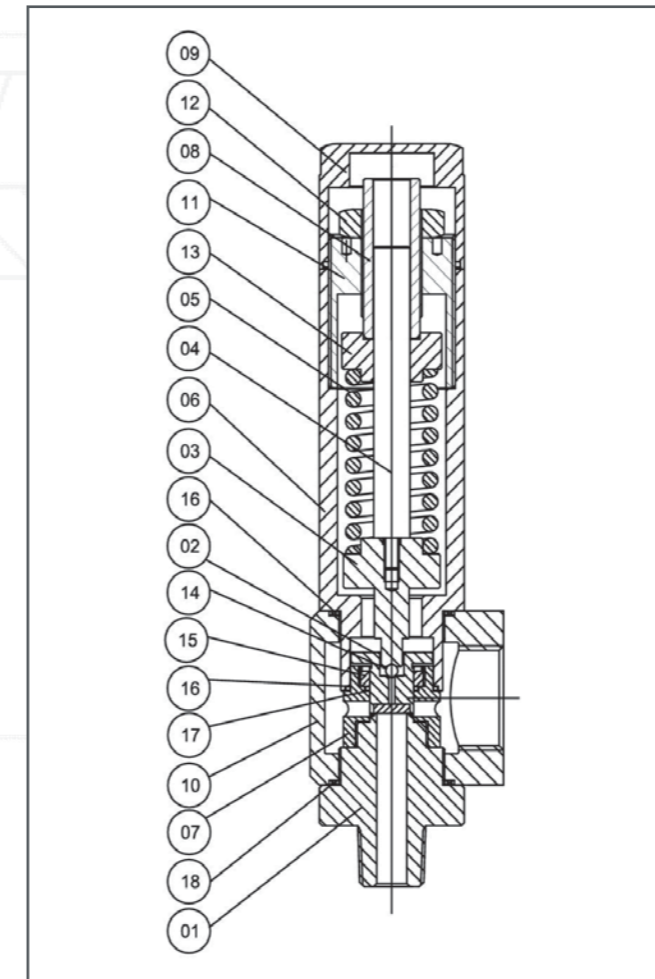
TYPE APPROVAL

DIR. 97/23/CE - PED - H1 CERT. N° 01 202 IT/Q-12 1280 / Approval SLK series P 281 12 1118/d / Standard EN 4126-1
ISO 9001:2008 CERT. N° 01 100 125538



DIMENSIONS

| XX=Orifice | XX=Specification | Connections type | | A | B | C | WEIGHT |
|------------|------------------|------------------|-----------------|----|----|-----|--------|
| | | in | out | | | | |
| 10 | | 1/2" | 1 1/2" GAS-F | 44 | 72 | 257 | 4,0 |
| 10 | | 3/4" | | | | | |
| 10 | | 1" | | | | | |
| 14 | | 3/4" | | | | | |
| 10 | | 1" | | | | | |



| | PART NAME | MATERIAL CODE | | | |
|----|-----------------|----------------|----------------|----------------|----------------|
| | | 055 | 038 | 011 | 012 |
| 01 | NOZZLE | AISI 316L | AISI 316L | AISI 316L | AISI 316L |
| 02 | DISC | AISI 316L/PTFE | AISI 316L/PEEK | AISI 316L/PTFE | AISI 316L/PEEK |
| 03 | LOWER WASHER | CARBON. STEEL | CARBON. STEEL | AISI 316L | AISI 316L |
| 04 | STEM | BRASS | BRASS | AISI 316L | AISI 316L |
| 05 | SPRING | ALL. STEEL | ALL. STEEL | AISI 316 | AISI 316 |
| 06 | BONNET | CARBON. STEEL | CARBON. STEEL | AISI 316L | AISI 316L |
| 07 | GUIDE | BRASS | BRASS | AISI 316L | AISI 316L |
| 08 | SET SCREW | BRASS | BRASS | AISI 316L | AISI 316L |
| 09 | CAP | CARBON. STEEL | CARBON. STEEL | AISI 316L | AISI 316L |
| 10 | BODY | CARBON. STEEL | CARBON. STEEL | AISI 316L | AISI 316L |
| 11 | PRE SETT. SCREW | BRASS | BRASS | BRASS | BRASS |
| 12 | NUT | BRASS | BRASS | AISI 316L | AISI 316L |
| 13 | UPER WASHER | CARBON. STEEL | CARBON. STEEL | AISI 316L | AISI 316L |
| 14 | BALL | AISI 316 | AISI 316 | AISI 316 | AISI 316 |
| 15 | NUT | BRASS | BRASS | AISI 316L | AISI 316L |
| 16 | GASKET | VITON | VITON | HNBR | HNBR |
| 17 | GASKET | VITON | VITON | HNBR | HNBR |
| 18 | GASKET | VITON | VITON | HNBR | HNBR |
| 19 | GASKET | VITON | VITON | HNBR | HNBR |

TYPE "E"

MATERIALS

DESCRIPTION

SLK-Series is a direct loaded, carried exhaust and full lift safety valve manufactured with high quality materials which complies with the strictest international standards.

PART CODE DESCRIPTION

SLK C - xx EA .xx - xxx



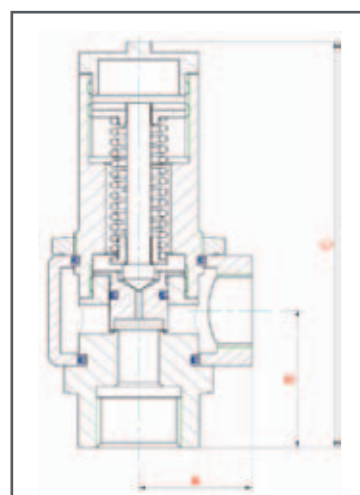
CHARACTERISTICS

| | |
|----------------------------|-------------------------|
| Orifice diameter | 10 mm |
| Orifice area | 0.785 cm ² |
| Inlet connection | 3/8" - 1/2" |
| Outlet connection | 1/2" |
| ND inlet max. | 15 mm |
| ND outlet | 15 mm |
| Setting range | 0,5 bar - 45 bar |
| Discharge coefficient kd | 0,94 gas |
| Lift to discharge pressure | 4.5 mm |
| Overpressure | 10% |
| Blowdown | 15% |
| Temperature range | from -196° C to +200° C |
| Fluids | Gas |
| Materials | See attached dwg |

TYPE APPROVAL

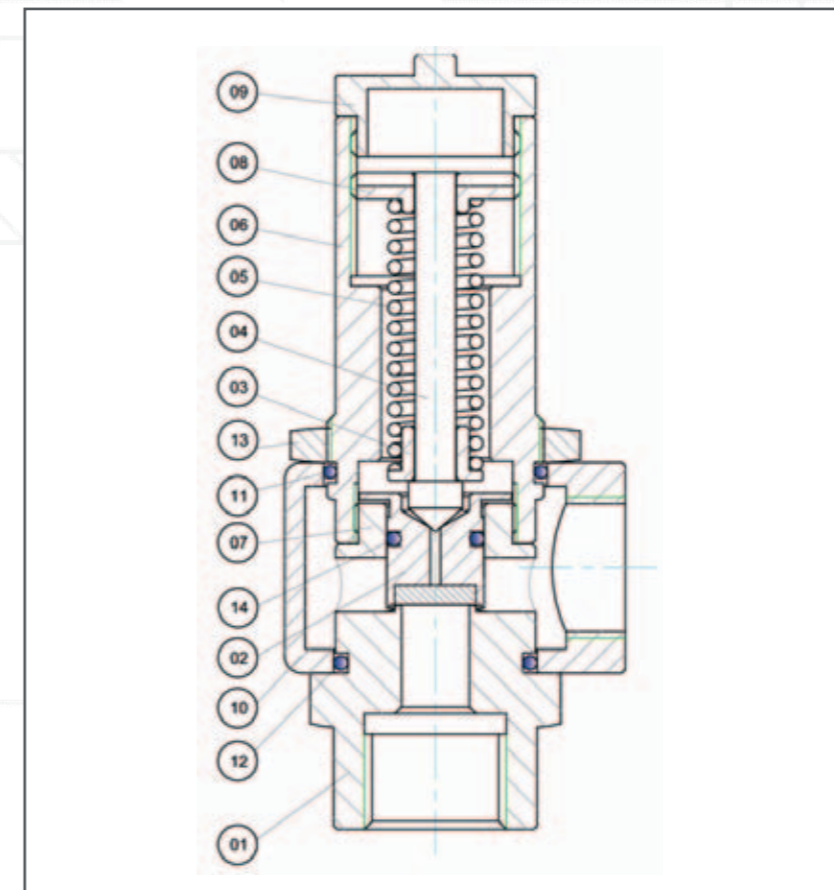
DIR. 97/23/CE - PED - H1 CERT. N° 01 202 IT/Q-12 1280 / Approval SLK series P 281 12 1118/d / Standard EN 4126-1

ISO 9001:2008 CERT. N° 01 100 125538



DIMENSIONS

| Connections type | | | A | B | C | WEIGHT |
|--------------------|------------|-------|----|------|-----|--------|
| XX = Specification | in | out | mm | mm | mm | kg |
| 2C | 3/8" GAS-F | 1/2" | | | | |
| 79 | 1/2" GAS-F | GAS-F | 28 | 38,5 | 115 | 1,0 |



| PART NAME | | MATERIAL CODE |
|-----------|--------------|---------------|
| | | 108 |
| 01 | NOZZLE | BRASS |
| 02 | DISC | BRASS |
| 03 | LOWER WASHER | BRASS / VITON |
| 04 | STEM | BRASS |
| 05 | SPRING | AISI 316 |
| 06 | BONNET | BRASS |
| 07 | GUIDE | BRASS |
| 08 | SET SCREW | BRASS |
| 09 | CAP | BRASS |
| 10 | BODY | BRASS |
| 11 | GASKET | VITON |
| 12 | GASKET | VITON |
| 13 | NUT | BRASS |
| 14 | GASKET | VITON |

TYPE "F" MATERIALS

DESCRIPTION

SLK-Series is a direct loaded full lift safety valve, available as free or carried exhaust and manufactured with high quality materials which comply with the strictest international standards.

MATERIALS

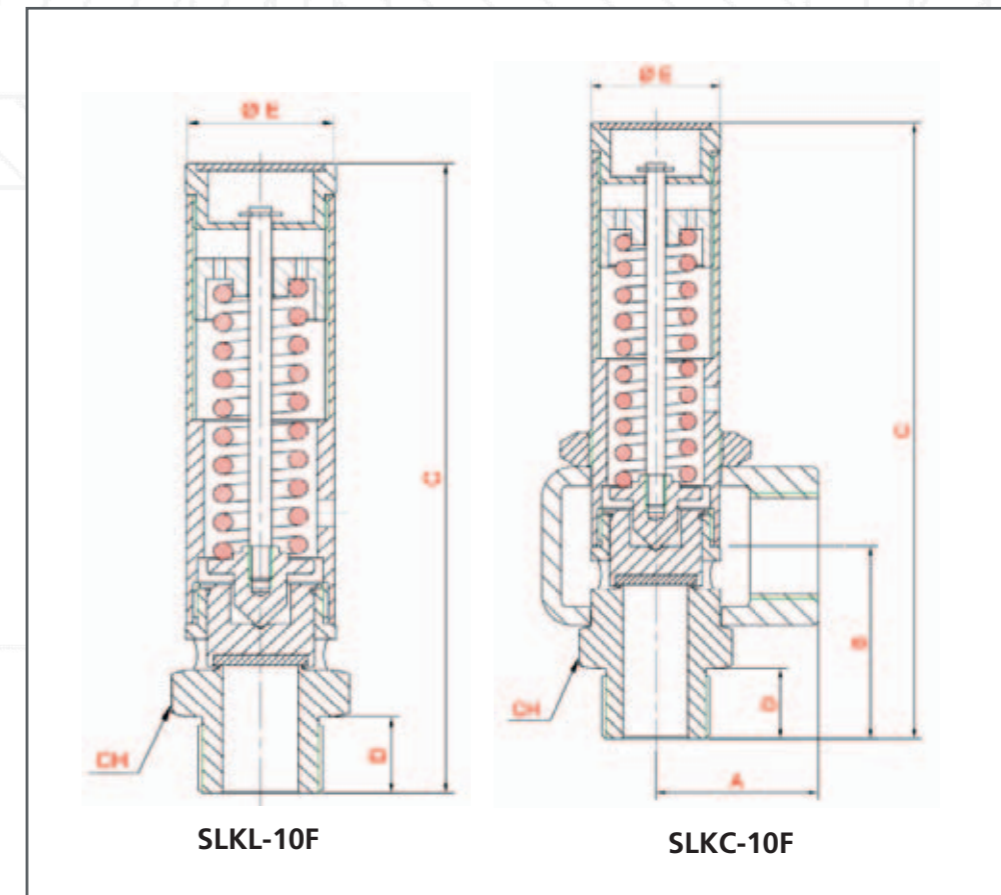
| | |
|--------|----------------------------|
| NOZZLE | BRASS / AISI 316L |
| DISC | BRASS / AISI 316L |
| BODY | BRASS / AISI 316L |
| SPRING | C85 / AISI 316 |
| SEAT | Elastomer, plastic o metal |

CHARACTERISTICS

| | |
|----------------------------|-----------------------|
| Orifice diameter | 10 mm |
| Orifice area | 0.785 cm ² |
| Inlet connection | 1/2" - 3/4" |
| Outlet connection | 1/2" - 3/4" |
| Setting range | 0,5 bar - 160 bar |
| Discharge coefficient kd | 0,937 gas |
| Lift to discharge pressure | 4.5 mm |
| Overpressure | 10% |
| Blowdown | 15% |
| Temperature range | -196° C +250° C |
| Fluids | Gas - steam |

TYPE APPROVAL

| |
|---|
| DIR. 97/23/CE - PED - H1 CERT. N° 01 202 IT/Q-12 1280 approval SLK series P 281 12 1118/d |
| ISO 9001:2008 CERT. N° 01 100 125538 TUV-RHEINLAND |



DIMENSIONS

| | SLKL-10F | SLKC-10F | |
|----|----------|----------|--|
| A | | 28 | |
| B | | 53 | |
| C | 150 | 155 | |
| D | 17 | 17 | |
| E | 31,5 | 29,5 | |
| CH | 32 | 32 | |

TYPE "I"

MATERIALS

DESCRIPTION

SLK-Series is a direct loaded, carried exhaust and full lift safety valve manufactured with high quality materials which complies with the strictest international standards.

PART CODE DESCRIPTION

SLK C - xx IA xx - xxx



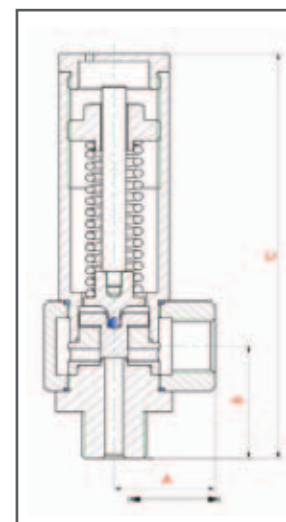
CHARACTERISTICS

| | | |
|----------------------------|-------------------------|-------------------------|
| Orifice diameter | 6 mm | 10 mm |
| Orifice area | 0.28 cm ² | 0.785 cm ² |
| Inlet connection | 1/4" - 1/2" | 1/2" |
| Outlet connection | 1/4" - 1/2" | 1/2" |
| ND inlet max. | 15 mm | 15 mm |
| ND outlet | 15 mm | 15 mm |
| Setting range | 0,5 bar - 650 bar | 0,5 bar - 350 bar |
| Discharge coefficient kd | 0,94 gas | 0,94 gas |
| Lift to discharge pressure | 2.7 mm | 4.5 mm |
| Overpressure | 10% | 10% |
| Blowdown | 15% | 15% |
| Temperature range | from -196° C to +200° C | from -196° C to +200° C |
| Fluids | Gas | Gas |

TYPE APPROVAL

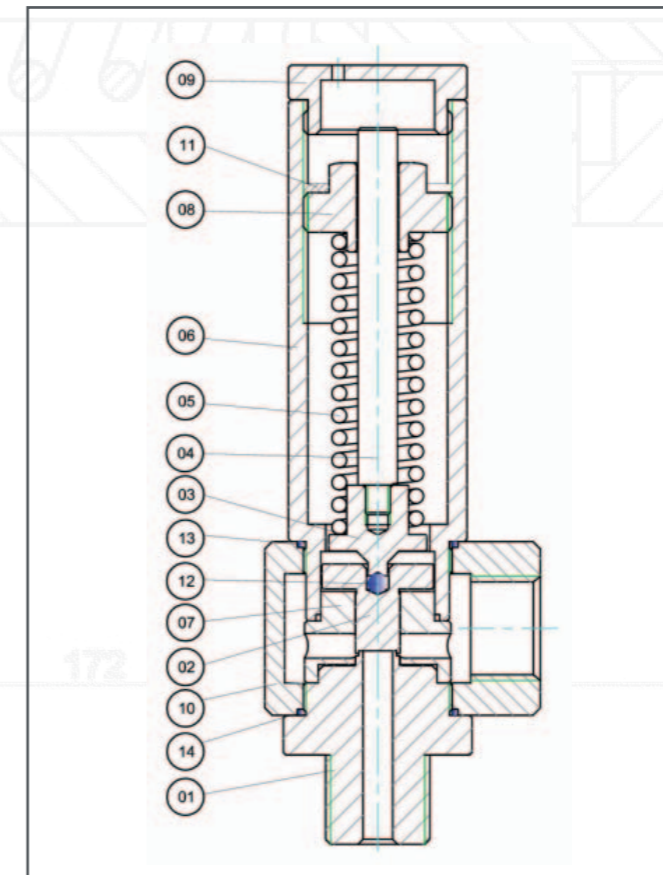
DIR. 97/23/CE - PED - H1 CERT. N° 01 202 IT/Q-12 1280 / Approval SLK series P 281 12 1118/d / Standard EN 4126-1

ISO 9001:2008 CERT. N° 01 100 125538



DIMENSIONS

| XX=Orifice | XX=Specification | Connections type | | A | B | C | WEIGHT |
|------------|------------------|------------------|-----------|----|------|-----|--------|
| | | in | out | | | | |
| 10 | 86 | 1/2" NPT-F | | 33 | 43.5 | 158 | 1,2 |
| 10 | 3C | 1/2" NPT-M | 1/4"-1/2" | | | | |
| 10 | 82 | 1/2" GAS-F | NPT-F | | | | |
| 10 | 1C | 1/2" GAS-M | GAS-F | | | | |



| | PART NAME | MATERIAL CODE | | |
|----|--------------|----------------|----------------|-----------|
| | | 011 | 012 | 020 |
| 01 | NOZZLE | AISI 316L | AISI 316L | AISI 316L |
| 02 | DISC | AISI 316L/PTFE | AISI 316L/PEEK | MONEL |
| 03 | LOWER WASHER | AISI 316L | AISI 316L | AISI 316L |
| 04 | STEM | AISI 316L | AISI 316L | AISI 316L |
| 05 | SPRING | AISI 316 | AISI 316 | AISI 316 |
| 06 | BONNET | AISI 316L | AISI 316L | AISI 316L |
| 07 | GUIDE | AISI 316L | AISI 316L | AISI 316L |
| 08 | SET SCREW | BRASS | BRASS | BRASS |
| 09 | CAP | AISI 316L | AISI 316L | AISI 316L |
| 10 | BODY | AISI 316L | AISI 316L | AISI 316L |
| 11 | SEEGER | AISI 316L | AISI 316L | AISI 316L |
| 12 | BALL | AISI 316 | AISI 316 | AISI 316 |
| 13 | GASKET | PTFE | PTFE | PTFE |
| 14 | GASKET | PTFE | PTFE | PTFE |

TYPE "H"

TYPE "H" 8 mm

DESCRIPTION

SLK-Series is a direct loaded full lift safety valve, available as free or carried exhaust and manufactured with high quality materials which comply with the strictest international standards.

CHARACTERISTICS

| | | | | | | | |
|----------------------------------|----------|----------|----------|----------|----------|----------|----------|
| Orifice \varnothing / mm | 8 | 10 | 14 | 18 | 25 | 30 | 38 |
| Discharge area / cm ² | 0.502 | 0.785 | 1.54 | 2.54 | 4.91 | 7.06 | 11.34 |
| Pressure range / bar | 0.5 ÷ 35 | 0.5 ÷ 35 | 0.5 ÷ 35 | 0.5 ÷ 35 | 0.5 ÷ 45 | 0.5 ÷ 35 | 0.5 ÷ 35 |

INLET CONNECTIONS

| | | |
|----------|-----------|------------|
| Threaded | 1/4" - 2" | NPT / GAS |
| Flanged | 1/2" - 2" | ANSI / DIN |

OUTLET CONNECTIONS

| | | |
|--------------|---------------|------------|
| FREE EXHAUST | | |
| Threaded | 1/2" - 2 1/2" | NPT / GAS |
| Flanged | 1/2" - 2 1/2" | ANSI / DIN |

MATERIALS

| | |
|--------|--------------------|
| NOZZLE | BRASS / AISI 316L |
| DISC | BRASS / AISI 316L |
| BODY | BRASS / AISI 316L |
| SPRING | C85 / AISI 316 |
| SEAT | Elastomer, plastic |

CHARACTERISTICS

| | |
|----------------------------|-----------------------|
| Orifice diameter | 8 mm |
| Orifice area | 0.502 cm ² |
| Inlet connection | 1/4" - 1/2" |
| Outlet connection | 1/4" - 1/2" |
| Setting range | 0,5 bar - 35 bar |
| Discharge coefficient kd | 0,937 gas |
| Lift to discharge pressure | 3.5 mm |
| Overpressure | 10% |
| Blowdown | 15% |
| Temperature range | -196° C +250° C |
| Fluids | Gas - steam |

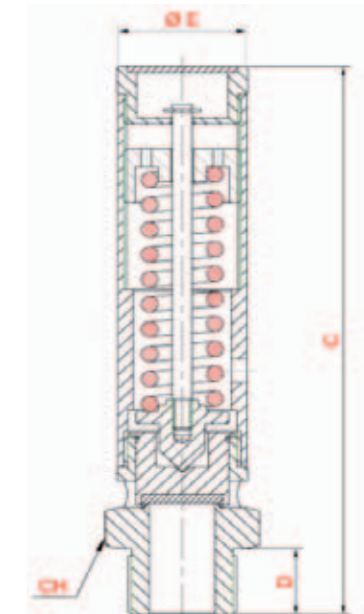
TYPE APPROVAL

DIR. 97/23/CE - PED - H1 CERT. N° 01 202 IT/Q-12 1280 approval SLK series P 281 12 1118/d

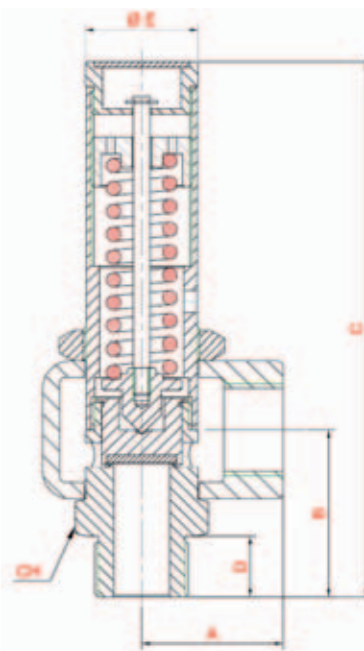
ISO 9001:2008 CERT. N° 01 100 125538 TUV-RHEINLAND

DIMENSIONS

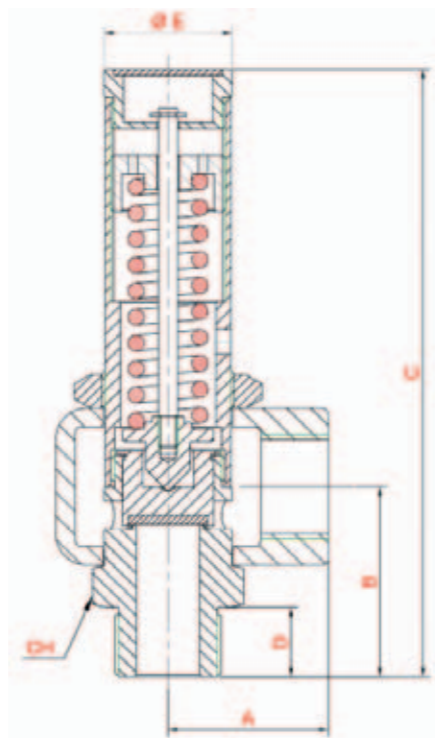
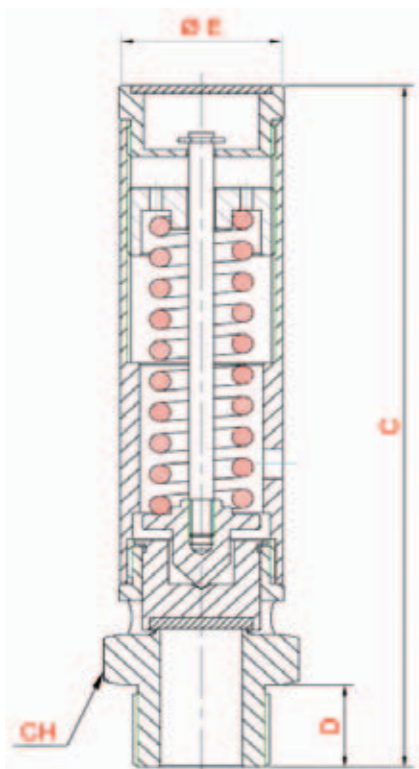
| | SLKL - 08H | SLKC - 08H |
|----|------------|------------|
| A | | 28 |
| B | | 31 |
| C | 70 | 85 |
| D | 12 | 12 |
| E | 20 | 22,5 |
| CH | 20 | 24 |



SLKL - 08H



SLKC - 08H



TYPE "H" 10 mm

TYPE "H" 14 mm

DESCRIPTION

SLK-Series is a direct loaded full lift safety valve, available as free or carried exhaust and manufactured with high quality materials which comply with the strictest international standards.

DESCRIPTION

SLK-Series is a direct loaded full lift safety valve, available as free or carried exhaust and manufactured with high quality materials which comply with the strictest international standards.

MATERIALS

| | |
|--------|----------------------------|
| NOZZLE | BRASS / AISI 316L |
| DISC | BRASS / AISI 316L |
| BODY | BRASS / AISI 316L |
| SPRING | C85 / AISI 316 |
| SEAT | Elastomer, plastic o metal |

CHARACTERISTICS

| | |
|----------------------------|-----------------------|
| Orifice diameter | 10 mm |
| Orifice area | 0.785 cm ² |
| Inlet connection | 3/8" - 1/2" |
| Outlet connection | 1/2" |
| Setting range | 0,5 bar - 35 bar |
| Discharge coefficient kd | 0,937 gas |
| Lift to discharge pressure | 4.5 mm |
| Overpressure | 10% |
| Blowdown | 15% |
| Temperature range | -196° C +250° C |
| Fluids | Gas - steam |

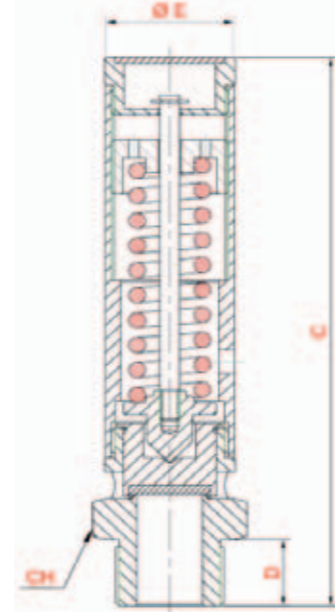
TYPE APPROVAL

DIR. 97/23/CE - PED - H1 CERT. N° 01 202 IT/Q-12 1280 approval SLK series P 281 12 1118/d

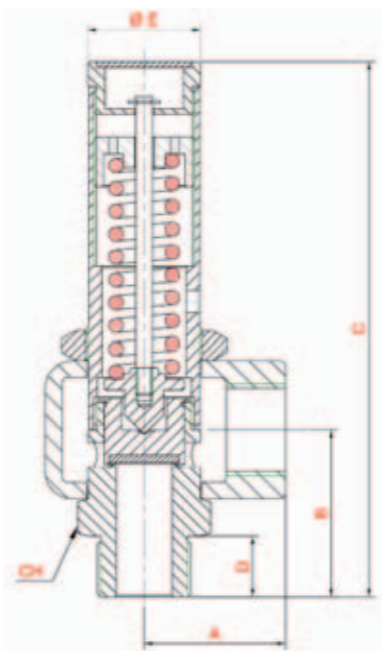
ISO 9001:2008 CERT. N° 01 100 125538 TUV-RHEINLAND

DIMENSIONS

| | SLKL - 10H | SLKC - 10H | |
|----|------------|------------|--|
| A | | 28 | |
| B | | 31 | |
| C | 104 | 106 | |
| D | 12 | 12 | |
| E | 22,5 | 22,5 | |
| CH | 24 | 24 | |



SLKL - 10H



SLKC - 10H

MATERIALS

| | |
|--------|----------------------------|
| NOZZLE | BRASS / AISI 316L |
| DISC | BRASS / AISI 316L |
| BODY | BRASS / AISI 316L |
| SPRING | C85 / AISI 316 |
| SEAT | Elastomer, plastic o metal |

CHARACTERISTICS

| | |
|----------------------------|----------------------|
| Orifice diameter | 14 mm |
| Orifice area | 1.54 cm ² |
| Inlet connection | 1/2" - 3/4" |
| Outlet connection | 1/2" - 3/4" |
| Setting range | 0,5 bar - 35 bar |
| Discharge coefficient kd | 0,937 gas |
| Lift to discharge pressure | 6.5 mm |
| Overpressure | 10% |
| Blowdown | 15% |
| Temperature range | -196° C +250° C |
| Fluids | Gas - steam |

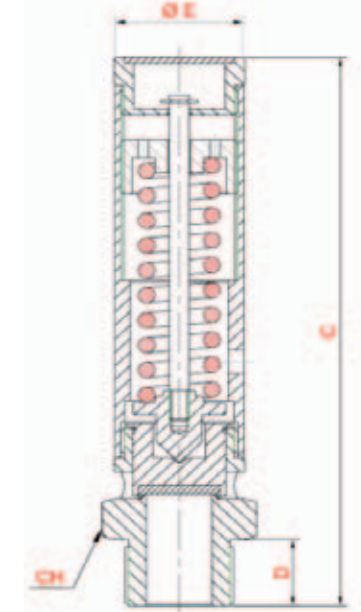
TYPE APPROVAL

DIR. 97/23/CE - PED - H1 CERT. N° 01 202 IT/Q-12 1280 approval SLK series P 281 12 1118/d

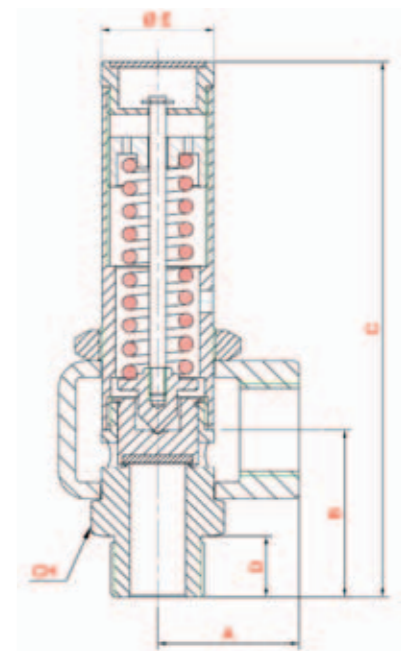
ISO 9001:2008 CERT. N° 01 100 125538 TUV-RHEINLAND

DIMENSIONS

| | SLKL - 14H | SLKC - 14H | |
|----|------------|------------|--|
| A | | 31 | |
| B | | 40 | |
| C | 132 | 142 | |
| D | 15 | 15 | |
| E | 30 | 30 | |
| CH | 32 | 32 | |



SLKL - 14H



SLKC - 14H

TYPE "H" 18 mm

TYPE "H" 25 mm

DESCRIPTION

SLK-Series is a direct loaded full lift safety valve, available as free or carried exhaust and manufactured with high quality materials which comply with the strictest international standards.

DESCRIPTION

SLK-Series is a direct loaded full lift safety valve, available as free or carried exhaust and manufactured with high quality materials which comply with the strictest international standards.

MATERIALS

| | |
|--------|----------------------------------|
| NOZZLE | BRASS / AISI 316L |
| DISC | BRASS / AISI 316L |
| BODY | BRASS / AISI 316L / CARBON STEEL |
| SPRING | C85 / AISI 316 |
| SEAT | Elastomer, plastic o metal |

CHARACTERISTICS

| | |
|----------------------------|----------------------|
| Orifice diameter | 18 mm |
| Orifice area | 2.54 cm ² |
| Inlet connection | 3/4" - 1" |
| Outlet connection | 1 1/2" |
| Setting range | 0,5 bar - 35 bar |
| Discharge coefficient kd | 0,937 gas |
| Lift to discharge pressure | 8 mm |
| Overpressure | 10% |
| Blowdown | 15% |
| Temperature range | -196° C +250° C |
| Fluids | Gas - steam |

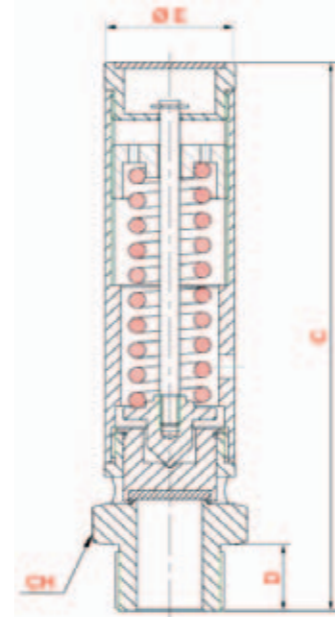
TYPE APPROVAL

DIR. 97/23/CE - PED - H1 CERT. N° 01 202 IT/Q-12 1280 approval SLK series P 281 12 1118/d

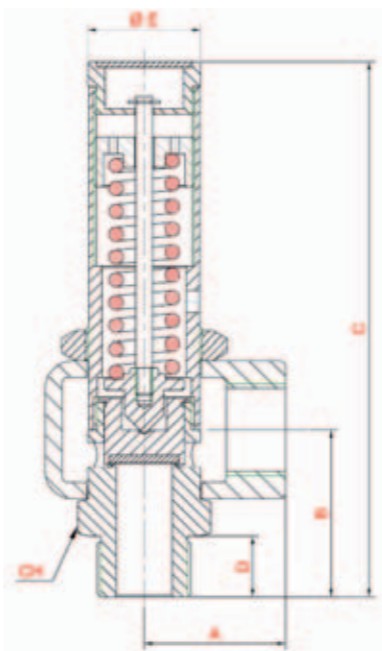
ISO 9001:2008 CERT. N° 01 100 125538 TUV-RHEINLAND

DIMENSIONS

| | SLKL - 18H | SLKC - 18H |
|----|------------|------------|
| A | | 63 |
| B | | 69 |
| C | 192 | 219 |
| D | 20 | 20 |
| E | 40 | 40 |
| CH | 41 | 41 |



SLKL - 18H



SLKC - 18H

MATERIALS

| | |
|--------|----------------------------------|
| NOZZLE | BRASS / AISI 316L |
| DISC | BRASS / AISI 316L |
| BODY | BRASS / AISI 316L / CARBON STEEL |
| SPRING | C85 / AISI 316 |
| SEAT | Elastomer, plastic o metal |

CHARACTERISTICS

| | |
|----------------------------|----------------------|
| Orifice diameter | 25 mm |
| Orifice area | 4.91 cm ² |
| Inlet connection | 1 1/4" - 1 1/2" |
| Outlet connection | 1 1/2" |
| Setting range | 0,5 bar - 45 bar |
| Discharge coefficient kd | 0,937 gas |
| Lift to discharge pressure | 11.5 mm |
| Overpressure | 10% |
| Blowdown | 15% |
| Temperature range | -196° C +250° C |
| Fluids | Gas - steam |

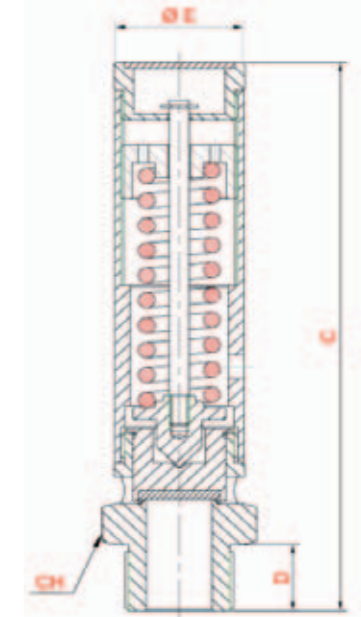
TYPE APPROVAL

DIR. 97/23/CE - PED - H1 CERT. N° 01 202 IT/Q-12 1280 approval SLK series P 281 12 1118/d

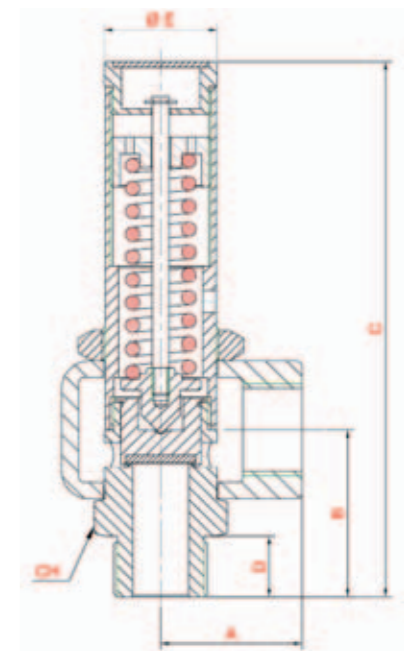
ISO 9001:2008 CERT. N° 01 100 125538 TUV-RHEINLAND

DIMENSIONS

| | SLKL - 25H | SLKC - 25H |
|----|------------|------------|
| A | | 70 |
| B | | 77 |
| C | 230 | 271 |
| D | 22 | 22 |
| E | 60 | 60 |
| CH | 60 | 60 |



SLKL - 25H



SLKC - 25H

TYPE "H" 30 mm

TYPE "H" 38 mm

DESCRIPTION

SLK-Series is a direct loaded full lift safety valve, available as free or carried exhaust and manufactured with high quality materials which comply with the strictest international standards.

DESCRIPTION

SLK-Series is a direct loaded full lift safety valve, available as free or carried exhaust and manufactured with high quality materials which comply with the strictest international standards.

MATERIALS

| | |
|--------|----------------------------------|
| NOZZLE | BRASS / AISI 316L |
| DISC | BRASS / AISI 316L |
| BODY | BRASS / AISI 316L / CARBON STEEL |
| SPRING | C85 / AISI 316 |
| SEAT | Elastomer, plastic o metal |

CHARACTERISTICS

| | |
|----------------------------|----------------------|
| Orifice diameter | 30 mm |
| Orifice area | 7.06 cm ² |
| Inlet connection | 1 1/2" |
| Outlet connection | 2" |
| Setting range | 0,5 bar - 35 bar |
| Discharge coefficient kd | 0,937 gas |
| Lift to discharge pressure | 13.5 mm |
| Overpressure | 10% |
| Blowdown | 15% |
| Temperature range | -196° C +250° C |
| Fluids | Gas - steam |

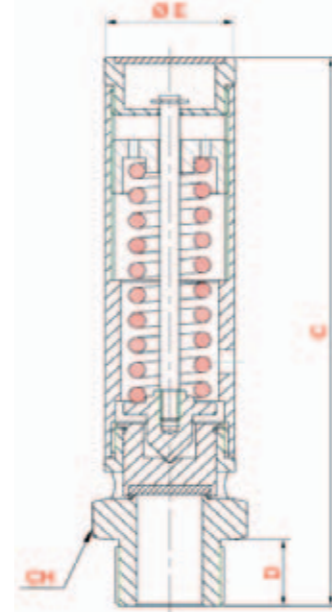
TYPE APPROVAL

DIR. 97/23/CE - PED - H1 CERT. N° 01 202 IT/Q-12 1280 approval SLK series P 281 12 1118/d

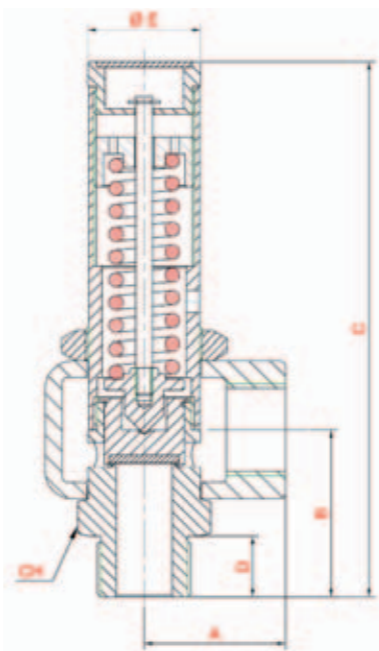
ISO 9001:2008 CERT. N° 01 100 125538 TUV-RHEINLAND

DIMENSIONS

| | SLKL- 30H | SLKC - 30H | |
|----|-----------|------------|--|
| A | | 74 | |
| B | | 84 | |
| C | 262 | 280 | |
| D | 25 | 25 | |
| E | 60 | 60 | |
| CH | 60 | 60 | |



SLKL - 30H



SLKC - 30H

MATERIALS

| | |
|--------|----------------------------------|
| NOZZLE | BRASS / AISI 316L |
| DISC | BRASS / AISI 316L |
| BODY | BRASS / AISI 316L / CARBON STEEL |
| SPRING | C85 / AISI 316 |
| SEAT | Elastomer, plastic o metal |

CHARACTERISTICS

| | |
|----------------------------|-----------------------|
| Orifice diameter | 38 mm |
| Orifice area | 11.34 cm ² |
| Inlet connection | 1 1/2" - 2" |
| Outlet connection | 2 1/2" |
| Setting range | 0,5 bar - 35 bar |
| Discharge coefficient kd | 0,937 gas |
| Lift to discharge pressure | 17 mm |
| Overpressure | 10% |
| Blowdown | 15% |
| Temperature range | -196° C +250° C |
| Fluids | Gas - steam |

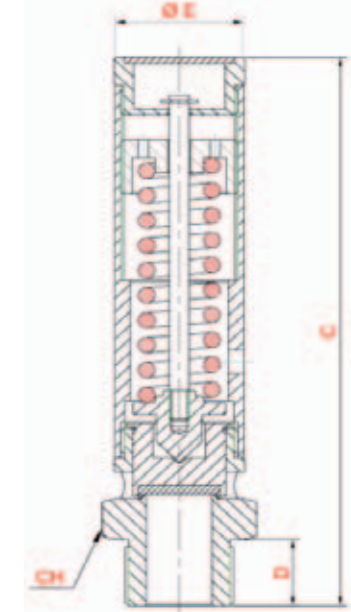
TYPE APPROVAL

DIR. 97/23/CE - PED - H1 CERT. N° 01 202 IT/Q-12 1280 approval SLK series P 281 12 1118/d

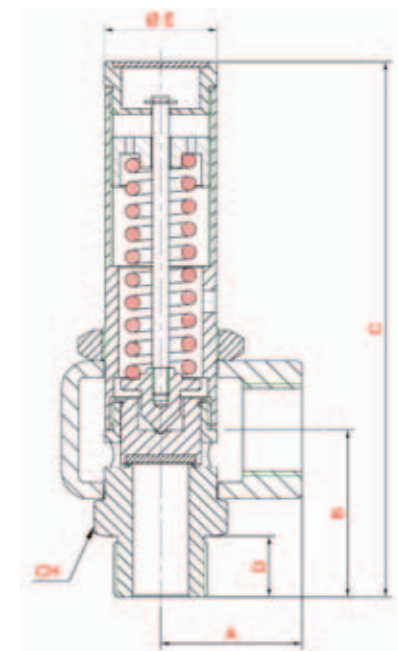
ISO 9001:2008 CERT. N° 01 100 125538 TUV-RHEINLAND

DIMENSIONS

| | SLKL- 38H | SLKC - 38H | |
|----|-----------|------------|--|
| A | | 80 | |
| B | | 100 | |
| C | 264 | 305 | |
| D | 25 | 25 | |
| E | 70 | 70 | |
| CH | 70 | 70 | |



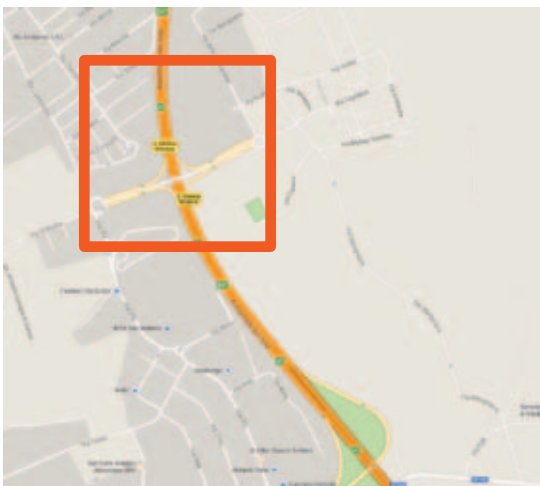
SLKL - 38H



SLKC - 38H



How to reach our Company



1. **Highway A1** (tangenziale Ovest) exit San Giuliano Milanese
2. proceed to **Via della Liberazione**



COI TECHNOLOGY S.r.l.
Via della Liberazione, 29/D
20098 San Giuliano Milanese (MI) Italy
Tel. +39 02 36 68 94 80
Fax +39 02 99 76 78 75
E-mail: info@coitech.it
www.coitech.it