

Regulus 3

Regulators - Pressure Reducing

Specifications

For other materials or modifications, please consult TESCOM.

FLUID MEDIA

Non-corrosive gases, oxygen and liquid gases, recommended for gas purity up to 5.0, not suitable for acetylene

OPERATING PARAMETERS

Pressure rating per criteria of ANSI/ASME B31.3

Maximum Inlet Pressure

290 psig / 20.0 bar

Outlet Pressure Ranges

0.15-1.5 inch-Hg / 5-50 mbar*

0.3-3 inch-Hg / 10-100 mbar

1.5-15 inch-Hg / 50-500 mbar

1.5-14.5 psig / 0.10-1.00 bar

2.2-21.8 psig / 0.15-1.5 bar

Flow Capacity

See flow curves

Operating Temperature

-4°F to 158°F / -20°C to 70°C

for CO maximum 104°F / 40°C

MEDIA CONTACT MATERIALS

Body

Nickel-plated Brass

Diaphragm

EPDM, wetted side PFEP covered

Seat

NBR

OTHER

Connections

Inlet: G 1/2" Female thread

Outlet: G 1/2" Female thread

Gauge: G 1/2" Female thread

Weight

2.9 lbs / 1.3 kg

*Minimum inlet pressure of 3.0 bar required

Warning: Don't use for acetylene



TESCOM Regulus 3 in-line pressure reducer is extremely sensitive (mbar range) for gas purity up to 5.0 (99.999 Vol %) with positive shut-off seal.

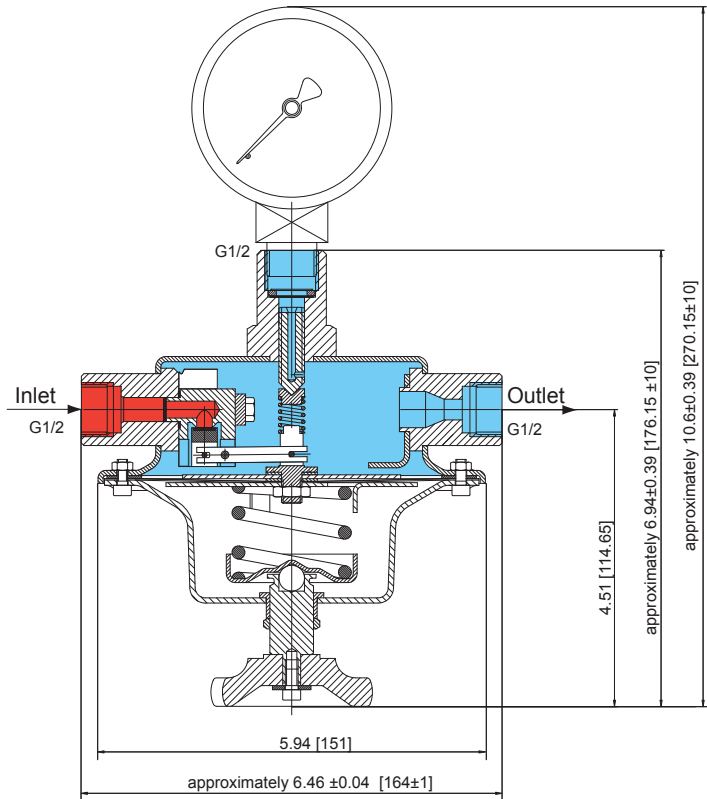
Applications

- Where very low outlet pressure is requested in combination with low flows
- Point-of-use regulator in central gas supply systems
- In machines or in combination with a first-stage reducer as a cylinder pressure reducer
- Laboratory and production testing

Features and Benefits

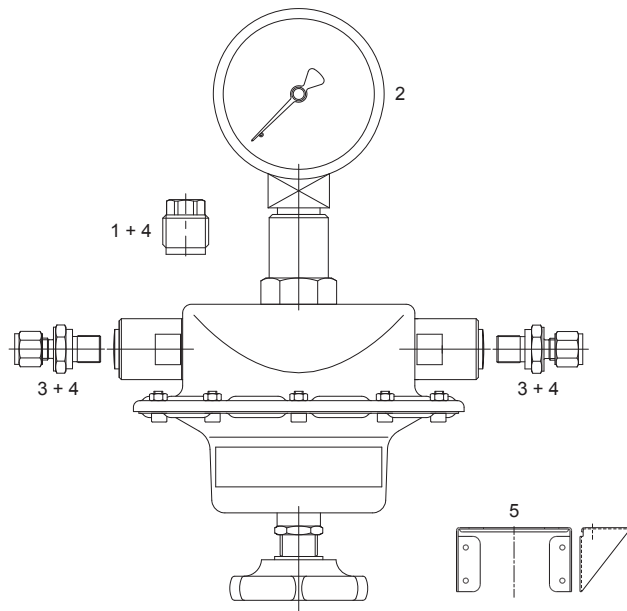
- Precise pressure control in the mbar range
- Accurate and reliable pressure control
- Positive shut-off seal

Regulus 3 Regulator Drawing



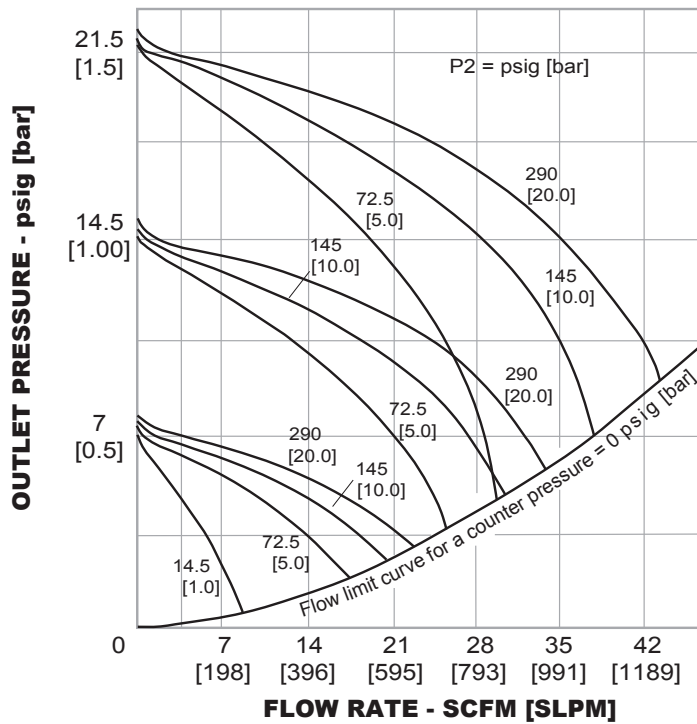
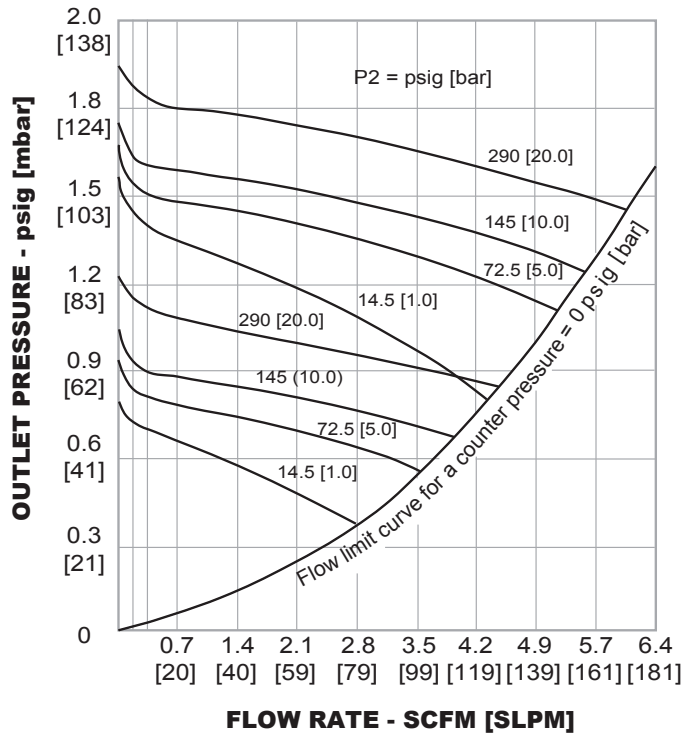
Accessories

Pos.	Part Number	Description
1	D50367	Screw fitting G 1/2"
2	7232784	Gauge Brass 100-60/50 mbar
2	7232795	Gauge Brass 100-60/50 mbar O ₂
2	7232785	Gauge Brass 100-160/100 mbar
2	7232796	Gauge Brass 100-160/100 mbar O ₂
2	7232786	Gauge Brass 100-600/500 mbar
2	7232797	Gauge Brass 100-600/500 mbar O ₂
2	7232787	Gauge Brass 100-1.6/1 bar
2	7232798	Gauge Brass 100-1.6/1 bar O ₂
2	7232788	Gauge Brass 100-2.5/1.5 bar
2	7232799	Gauge Brass 100-2.5/1.5 bar O ₂
3	D41604	Fitting Brass G 1/2" - 8 mm
3	D40080	Fitting Brass G 1/2" - 10 mm
3	D40081	Fitting Brass G 1/2" - 12 mm
4	D01722	Seal ring G 1/2"
5	D13134	Wall bracket
5	D13133	Panel mounting



Regulus 3 Regulator Flow Charts

For more information on how to read flow curves, please refer to the Flow Curves and Calculations document (debul2007x012) in the TESCOM catalog or on www.tescom.com.



Regulus 3 Regulator Part Number Selector

Repair Kits, Accessories & Modifications may be available for this product. Please contact TESCOM for more information.

Example for selecting a part number:

D50708 - **0050** - **12** - **M**

BASIC SERIES	OUTLET PRESSURE RANGES	INLET AND OUTLET CONNECTIONS	ACCESSORIES
D50708	0050 - 0.15-1.5 inch-Hg / 5-50 mbar 0100 - 0.3-3 inch-Hg / 10-100 mbar 0500 - 1.5-15 inch-Hg / 50-500 mbar 1000 - 1.5-14.5 psig / 0.10-1.00 bar 1500 - 2.2-21.8 psig / 0.15-1.5 bar	00 – None 08 – Screw fitting G 1/2", 8 mm, Brass 10 – Screw fitting G 1/2", 10 mm, Brass 12 – Screw fitting G 1/2", 12 mm, Brass	None – without gauge with screw plug M – with gauge W – with wall bracket D13134 MW – with gauge and wall bracket D13134