

# Ultra High Purity MiniLabo 2

## Regulators - Pressure Reducing

DCATLABO12133XEN2

### Specifications

For other materials or modifications, please consult TESCOM.

#### FLUID MEDIA

For corrosive and non-corrosive gases and mixtures

#### OPERATING PARAMETERS

Pressure rating per criteria of ANSI/ASME B31.3

##### Maximum Inlet Pressure

580 psig / 40.0 bar

##### Maximum Outlet Pressure

22, 58, 145 psig / 1.5, 4.0, 10.0 bar

##### Leakage Rate Against Atmosphere

10<sup>-8</sup> mbar l/sec He each connection

##### Nominal Flow Rate

1-200 LPM based on Nitrogen

##### Operating Temperature

-4°F to 158°F / -20°C to 70°C

#### MEDIA CONTACT MATERIALS

##### Material

**Body:** 316L Stainless Steel

**Diaphragm:** Elgiloy® / Hastelloy®

##### Seat

**Valve:** PCTFE

**Pressure Reducer:** PTFE

#### OTHER

##### Cleaning

Cleaned for Oxygen Service

##### Connections

**Inlet and Outlet:** 1/4" HPIC

High Purity Internal Connection (HPIC) designed for use with 1/4" swivel VCR® (or compatible fittings)

**Gauge:** 1/4" Internal VCR®

##### Weight (approximate)

2.7 lbs / 1.2 kg

Elgiloy® is a registered trademark of Elgiloy Corp.

Hastelloy® is a registered trademark of Haynes International, Inc.

VCR® is a registered trademark of Swagelok.



TESCOM Ultra High Purity MiniLabo 2 is a point-of-use regulator for high purity applications with a compact, modular ergonomic design. All connections are 1/4" Internal VCR® for reduced leak rates.

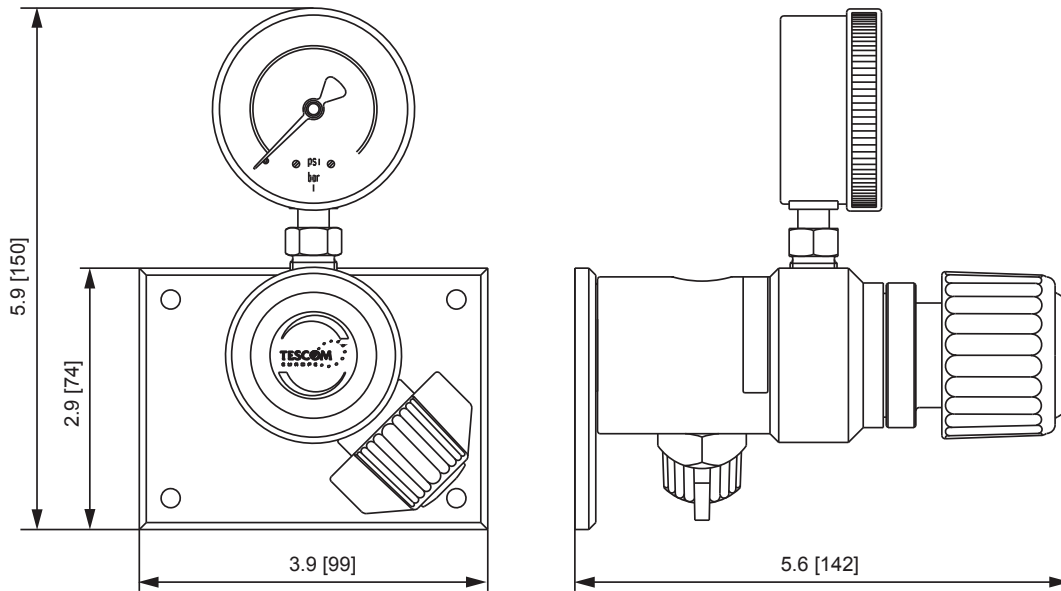
### Applications

- High purity applications
- Reduces line pressure to working pressure
- Laboratory, research & development and analyzer applications

### Features and Benefits

- Minimized internal volume
- All connections are 1/4" Internal VCR® for reduced leak rates
- Compact and economical design
- Ease of use by ergonomic handwheels
- Pressure regulator and 1/4 turn shut-off valve integrated in one body
- Includes low pressure gauge and a wall mounting plate
- Suitable for gases up to purity 6.0

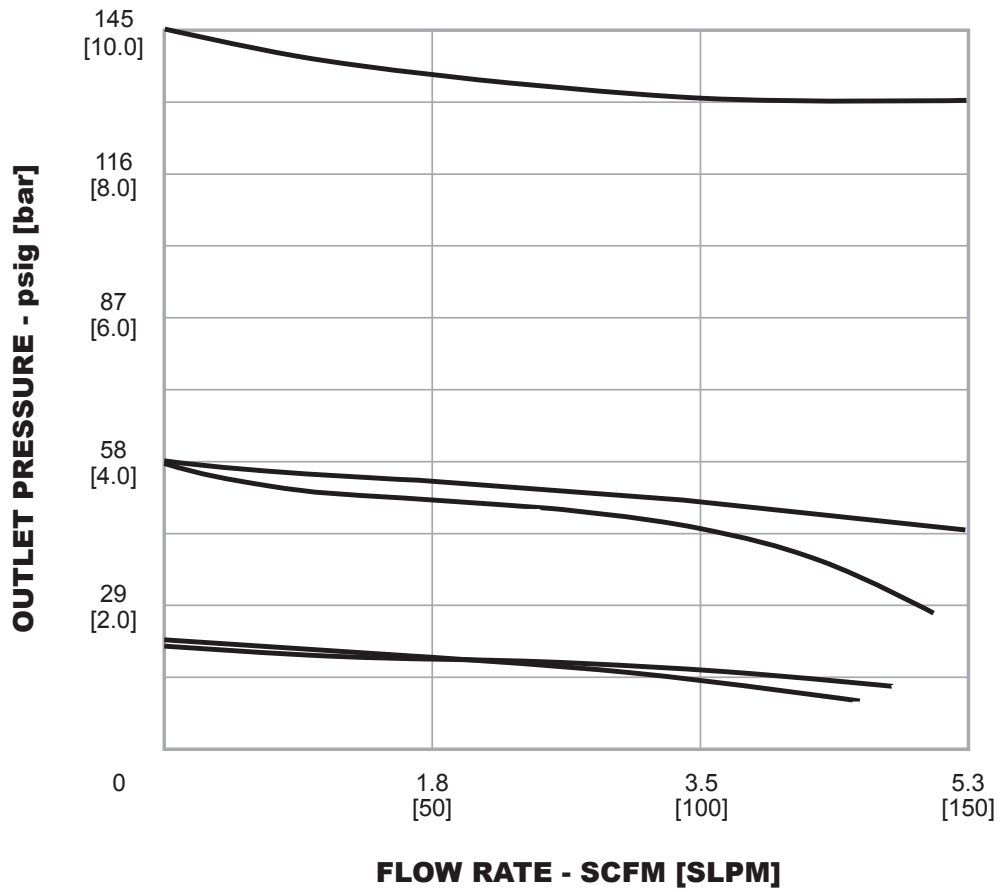
### Ultra High Purity MiniLabo 2 Regulator Drawing



All dimensions are reference & nominal  
Metric [millimeter] equivalents are in brackets

## Ultra High Purity MiniLabo 2 Regulator Flow Chart

For more information on how to read flow curves, please refer to the Flow Curves and Calculations document (debul2007x012) in the TESCOM catalog or on [www.tescom.com](http://www.tescom.com).



## Ultra High Purity MiniLabo 2 Regulator Part Number Selector

Repair Kits, Accessories & Modifications may be available for this product. Please contact TESCOM for more information.

Example for selecting a part number:

D45372	-	2
BASIC SERIES		PRESSURE RANGE
<b>D45372</b> MiniLabo 2 Ultra High Purity Point-of-use regulator with wall mounting plate and metal diaphragm		1 – 22 psig / 1.5 bar 2 – 58 psig / 4.0 bar 3 – 145 psig / 10.0 bar

### Accessories for Wall Mounting

<b>D43371</b>	Kit countersunk screws + dowels for wall plate
---------------	--