

# Line Pressure Reducer 6.0

## Regulators - Pressure Reducing

### Specifications

For other materials or modifications, please consult TESCOM.

#### FLUID MEDIA

Non-corrosive gases and mixtures up to purity 6.0 (99.9999 Vol%) Brass and Stainless Steel  
For corrosive gases in Stainless Steel

#### OPERATING PARAMETERS

Pressure rating per criteria of ANSI/ASME B31.3

##### Maximum Inlet Pressure

**D45001:** 3500 psig / 241 bar and 400 psig / 27.6 bar  
**D45002:** 3000 psig / 207 bar and 500 psig / 34.5 bar

##### Outlet Pressure Ranges

**D45001:** 0-100 psig / 0-6.9 bar  
0-247 psig / 0-17.0 bar  
0-25 psig / 0-1.7 bar  
0-50 psig / 0-3.4 bar  
0-500 psig / 0-34.5 bar  
**D45002:** 0-25 psig / 0-1.7 bar  
0-50 psig / 0-3.4 bar  
0-100 psig / 0-6.9 bar  
0-150 psig / 0-10.3 bar  
0-200 psig / 0-13.8 bar

##### Leakage Rate Against Atmosphere

10<sup>-8</sup> mbar l/sec He

##### Flow Capacity

D45001 C<sub>v</sub> = 0.06 (HP), 0.15 (LP)  
D45002 C<sub>v</sub> = 1.0

##### Operating Temperature

-40°F to 158°F / -40°C to 70°C

#### MEDIA CONTACT MATERIALS

##### Body

Brass or 316L Stainless Steel

##### Bonnet

Nickel-plated Brass, Stainless Steel (optional)

##### Seat

Teflon®

#### OTHERS

##### Body Connections

**D45001:** 2 x NPTF 1/4"  
**D45002:** 2 x NPTF 1/2"  
**Gauge(s):** NPTF 1/4"

##### Connection

Fittings see ordering information

##### Weight (approximate)

**D45001:** 2.4 lbs / 1.1 kg  
**D45002:** 4.0 lbs / 1.8 kg

Teflon® is a registered trademark of E.I. du Pont de Nemours and Company.



TESCOM Line Pressure Reducers (Purity 6.0) are based on the reliable and precise 44-2200 and 44-3200 Series. These units are supplied with compression fittings and a pressure gauge for the outlet pressure.

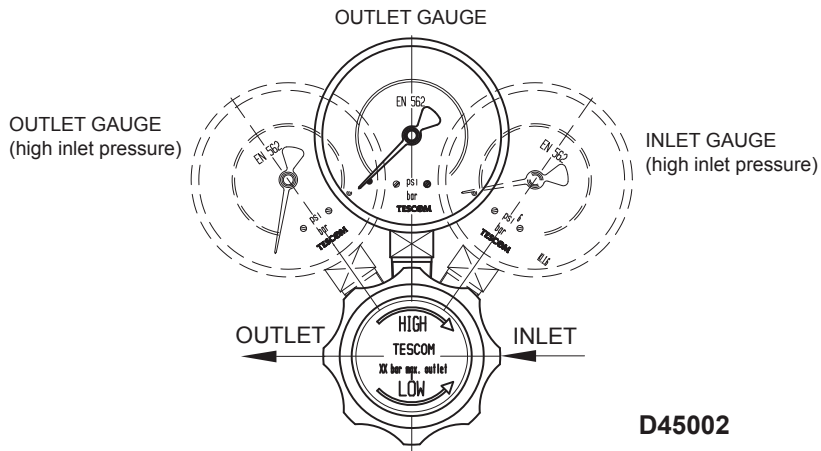
### Applications

- Line pressure control
- Second stage regulator in gas supply lines

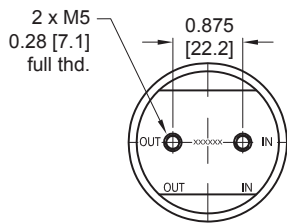
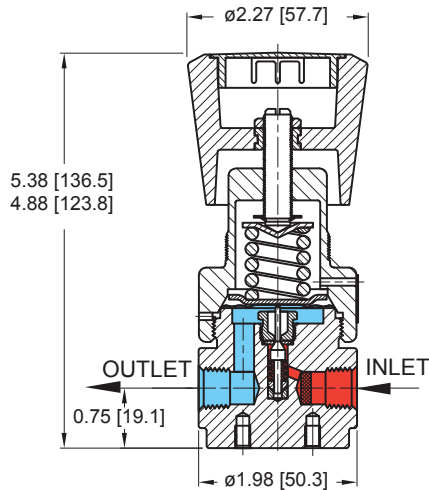
### Features and Benefits

- Pre-assembled with gauge, compression fittings included
- Increased safety and reliability due to metal-to-metal seal with Stainless Steel diaphragm
- High flow capacity with excellent control capabilities at D45002
- Optional presetting of outlet pressure
- Suitable for panel installation

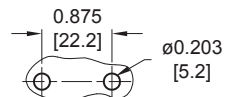
Line Pressure Reducer 6.0 Regulator Drawing



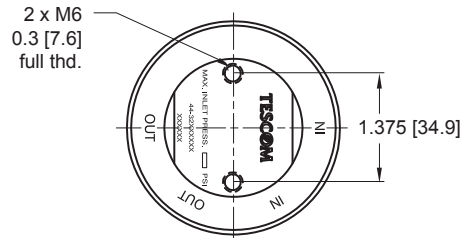
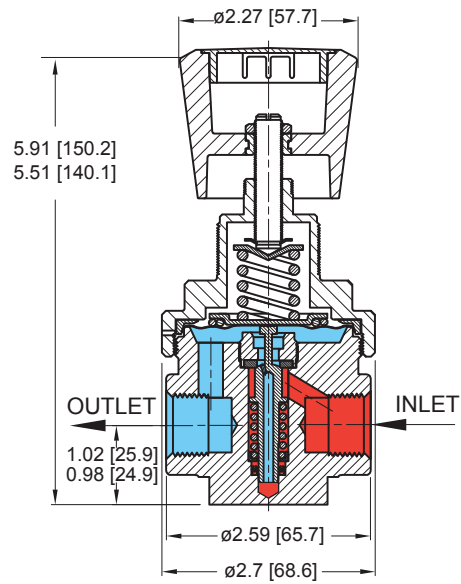
D45001



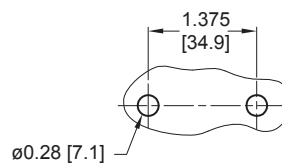
HOLE PATTERN



D45002



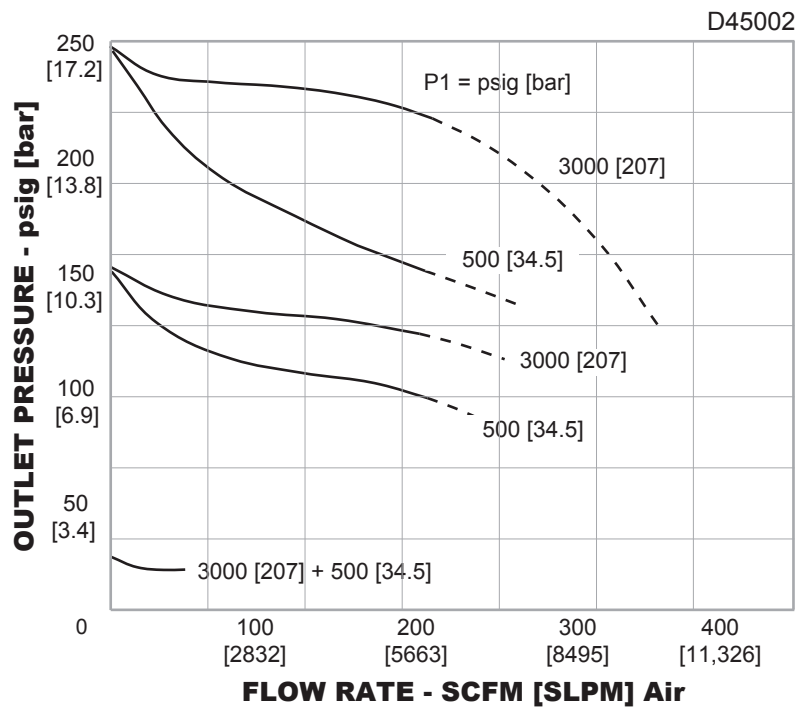
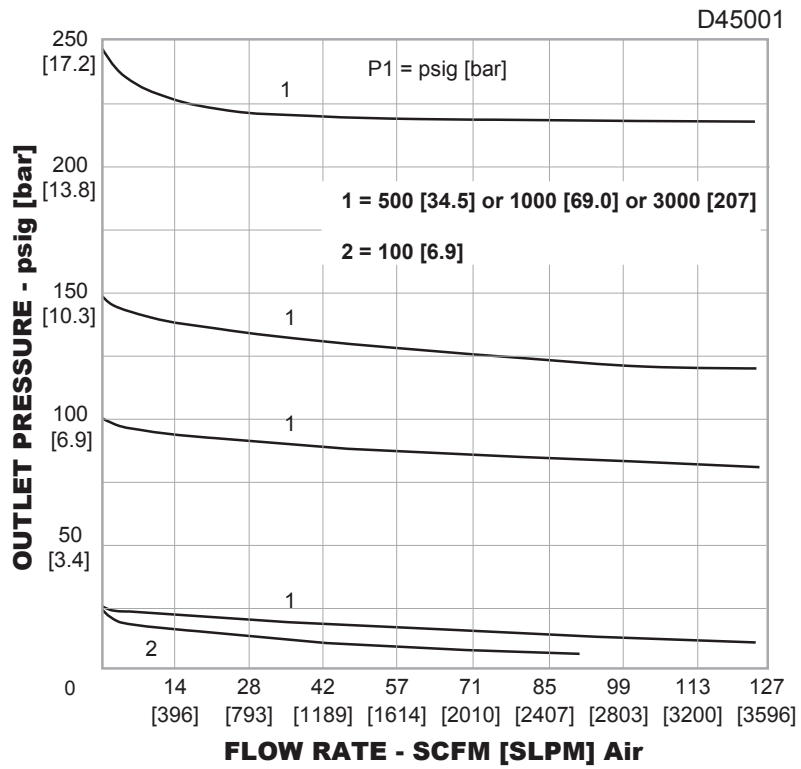
HOLE PATTERN



All dimensions are reference & nominal  
Metric [millimeter] equivalents are in brackets

### Line Pressure Reducer 6.0 Regulator Flow Charts

For more information on how to read flow curves, please refer to the Flow Curves and Calculations document (debul2007x012) in the TESCOM catalog or on [www.tescom.com](http://www.tescom.com).



## Line Pressure Reducer 6.0 Regulator Part Number Selector

Repair Kits, Accessories & Modifications may be available for this product. Please contact TESCOM for more information.

Example for selecting a part number:

BASIC SERIES	MATERIAL	INLET PRESSURE	OUTLET PRESSURE
D45001	1 – Brass 6 – Stainless Steel	1 – 3500 psig / 241 bar <sup>1</sup> 2 – 400 psig / 27.6 bar <sup>2</sup>	1 – 0-100 psig / 0-6.9 bar 2 – 0-247 psig / 0-17.0 bar 3 – 0-25 psig / 0-1.7 bar 4 – 0-50 psig / 0-3.4 bar 5 – 0-500 psig / 0-34.5 bar
D45002	1 – Brass 6 – Stainless Steel	1 – 3000 psig / 207 bar <sup>1</sup> 2 – 500 psig / 34.5 bar <sup>2</sup>	0 – 0-25 psig / 0-1.7 bar 1 – 0-50 psig / 0-3.4 bar 2 – 0-100 psig / 0-6.9 bar 3 – 0-150 psig / 0-10.3 bar 4 – 0-200 psig / 0-13.8 bar

1. With inlet and outlet pressure gauge  
2. With outlet pressure gauge

## Accessories

SCREW FITTING	D45001		D45002	
	Brass	Stainless Steel	Brass	Stainless Steel
For tube 6 mm	D42048	D43777	----	----
For tube 8 mm	D42183	D44987-8-1-4-6	----	----
For tube 10 mm	D42047	D44987-10-1-4-6	D44987-10-1-8-1	D44987-10-1-8-6
For tube 12 mm	D44987-12-1-4-1	D44987-12-1-4-6	D44987-12-1-8-1	D44987-12-1-8-6