

High Pressure Point-of-Use Regulators - Pressure Reducing

Specifications

For other materials or modifications, please consult TESCOM.

OPERATING PARAMETERS

Pressure rating per criteria of ANSI/ASME B31.3

Maximum Inlet Pressure

6000 psig / 414 bar

Outlet Pressure Ranges

0-1500 psig / 0-103 bar

0-2500 psig / 0-172 bar

Design Proof Pressure

150% of rated pressure

Operating Temperature

-15°F to 165°F / -26°C to 74°C

Flow Capacity

$C_v = 0.06$

Leakage

Bubble-tight

Leak Rate

$<10^{-9}$ mbar l/s



TESCOM High Pressure Point-of-Use regulator is a 44-1800 Series pressure reducing regulator that is spring loaded, hand operated and piston sensed.

MEDIA CONTACT MATERIALS

Body

Brass or 316 Stainless Steel

Seat

Teflon®

O-Ring

Viton® (AMS 7287 Fluorocarbon)

Back-up Ring

Teflon®

Remaining Parts

Brass and 300 Stainless Steel

Application

- Analyzers with high outlet pressures in Laboratory and R&D

Features and Benefits

- Compact and ergonomic design
- Easy installation with wall mounting plate
- Venting is optional

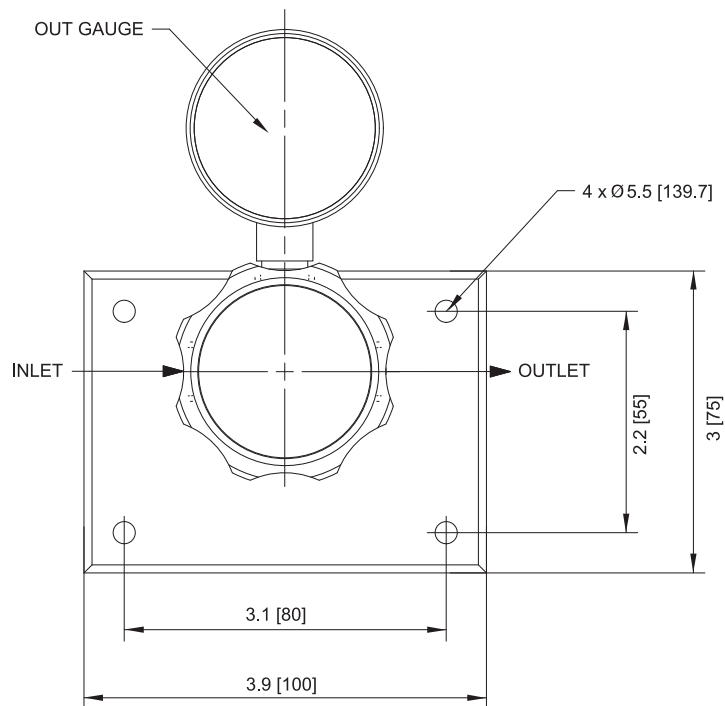
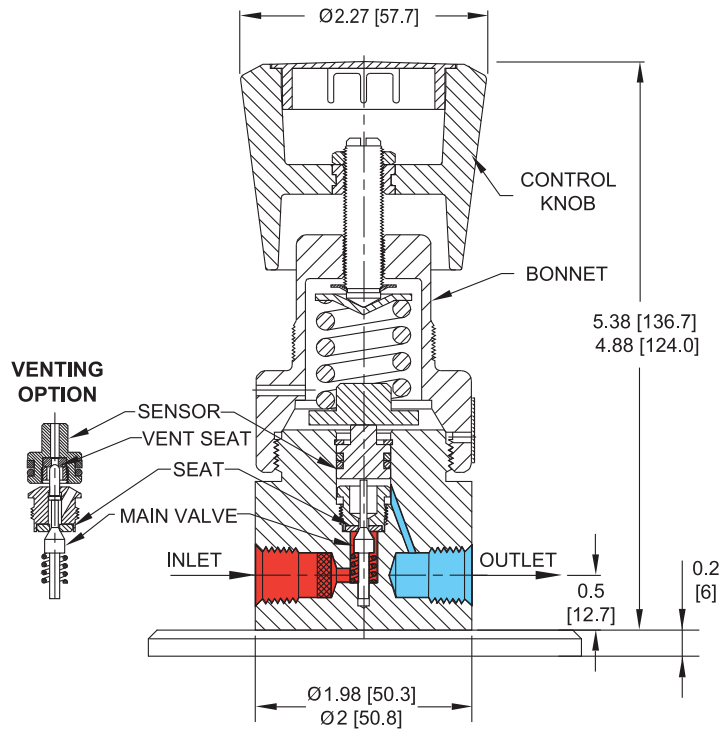
OTHER

Weight (approximate)

2 lbs / 0.9 kg

Teflon® and Viton® are registered trademarks of E.I. du Pont de Nemours and Company.

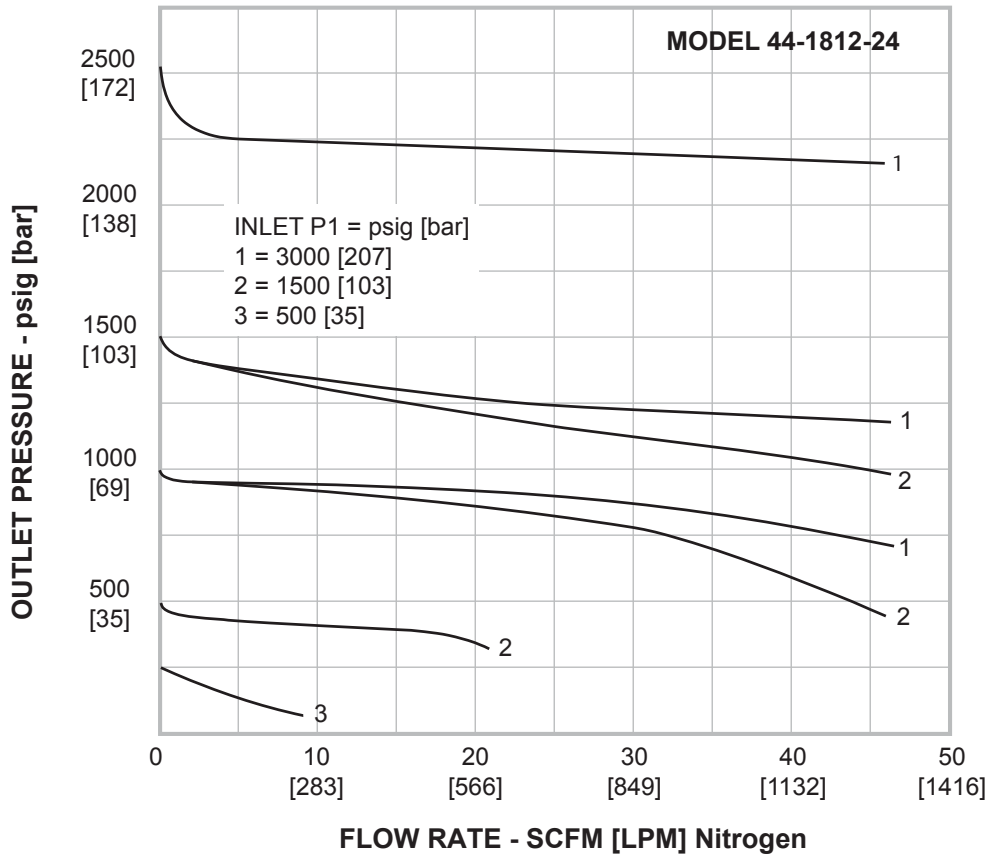
High Pressure Point-of-Use Drawing



All dimensions are reference & nominal
Metric [millimeter] equivalents are in brackets

High Pressure Point-of-Use Flow Chart

For more information on how to read flow curves, please refer to the Flow Curves and Calculations document (debul2007x012) in the TESCOM catalog or on www.tescom.com.



High Pressure Point-of-Use Regulator Part Number Selector

Repair Kits, Accessories & Modifications may be available for this product. Please contact TESCOM for more information.

Example for selecting a part number:

44-18 1 2 - 2 4 V - 139

BASIC SERIES	BODY MATERIAL	OUTLET PRESSURE	INLET AND OUTLET PORT TYPE	INLET AND OUTLET PORT SIZE	VENT OPTION	MODIFICATION
44-18	1 – Brass 6 – Stainless Steel	1 – 0-1500 psig 0-103 bar 2 – 0-2500 psig 0-172 bar	2 – NPTF	4 – 1/4"	N – Non-venting V – Venting	139

Kits

	VENTING	NON-VENTING
NON METALLIC	389-3117	389-3521
REPAIR	389-3116	389-3520