

## Specifications

For other materials or modifications, please consult TESCOM.

### OPERATING PARAMETERS

Pressure rating per criteria of ANSI/ASME B31.3

**Maximum Inlet Pressure**

500 psig / 34.5 bar

**Outlet Pressure Ranges**

0-15, 0-30, 0-75, 0-150 psig / 0-1.0, 0-2.1, 0-5.2, 0-10.3 bar

**Design Proof Pressure**

150% maximum rated

**Leakage**

**Internal:** Bubble-tight

**External:**  $< 2 \times 10^{-8}$  atm cc/sec He

**Operating Temperature**

-40°F to 165°F / -40°C to 74°C

**Flow Capacity**

$C_v = 1.8$

### MEDIA CONTACT MATERIALS

**Body**

316 Stainless Steel

**Seat**

FEP Teflon®

**Retainer Seat**

Nitronic 60

**O-Ring**

Teflon®

**Diaphragm**

316 Stainless Steel

**Spring**

316 Stainless Steel

**Remaining Parts**

316 Stainless Steel

### OTHER

**Cleaning**

CGA 4.1 and ASTM G93

**Weight (without gauges)**

6.0 lbs / 2.7 kg

Teflon® is a registered trademark of E.I. du Pont de Nemours and Company.



TESCOM FR-2000 Series regulator is extremely accurate and designed for high flow at low outlet pressure. Diffusion-resistant metal diaphragm seal ensures gas purity and leak integrity.

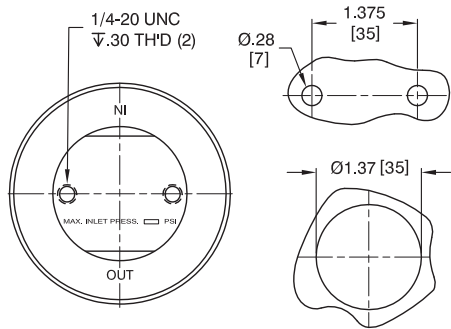
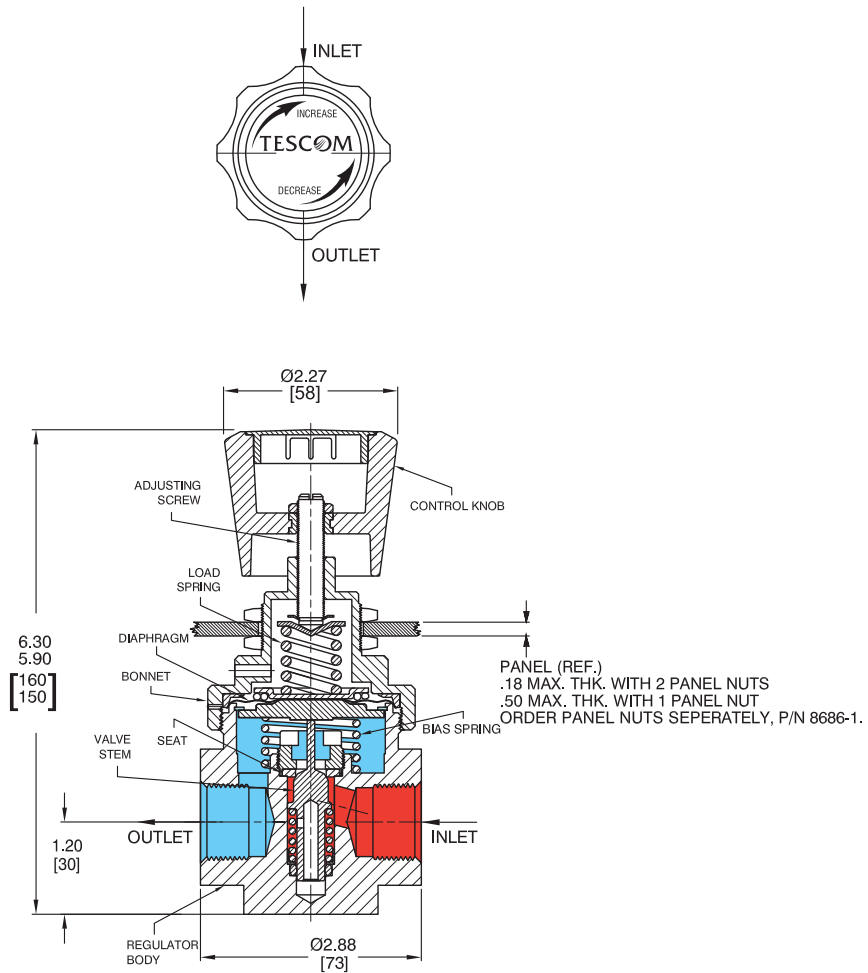
### Application

- Low pressure purge

### Features and Benefits

- Accurate and designed to provide high flow at low control pressure
- High-flow,  $C_v = 1.8$
- Metal-to-metal sealed diaphragm
- Dome loaded version is available
- Gauge ports are available

FR-2000 Series Regulator Drawing

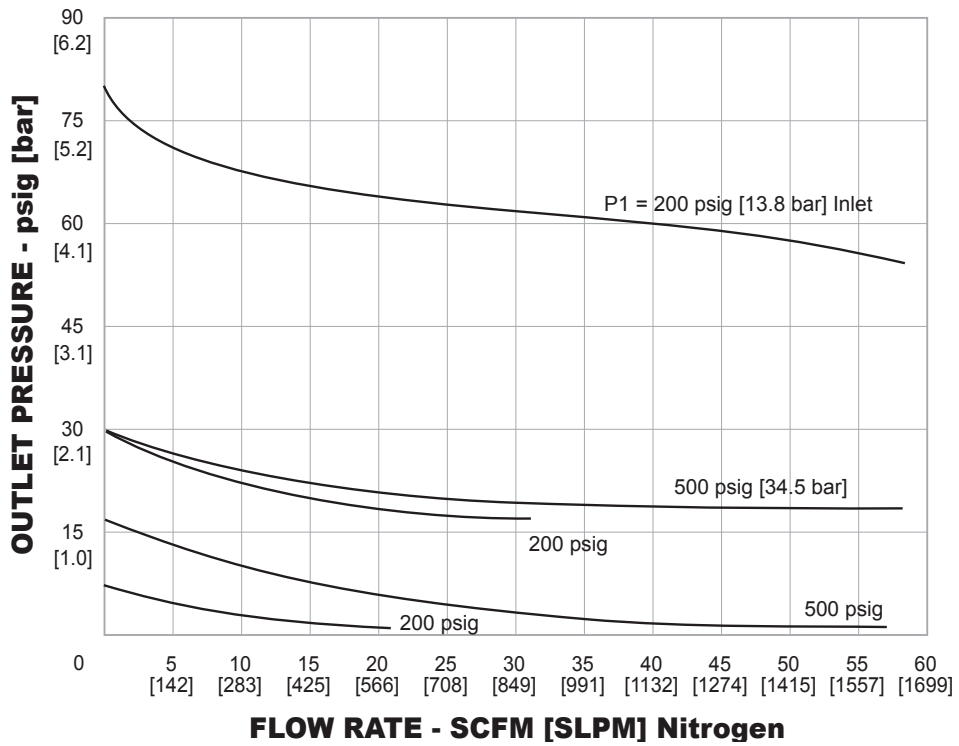


PANEL CUT-OUTS

All dimensions are reference & nominal  
 Metric [millimeter] equivalents are in brackets

### FR-2000 Series Regulator Flow Chart

For more information on how to read flow curves, please refer to the Flow Curves and Calculations document (debul2007x012) in the TESCOM catalog or on [www.tescom.com](http://www.tescom.com).



## FR-2000 Series Regulator Part Number Selector

*Repair Kits, Accessories & Modifications may be available for this product. Please contact TESCOM for more information.*

Example for selecting a part number:

FR-20          6                          0                          -          2                          08                          2                          -

BASIC SERIES	BODY MATERIAL	OUTLET PRESSURE RANGES	INLET AND OUTLET PORT TYPE	INLET AND OUTLET PORT SIZE	MAXIMUM INLET PRESSURE	OPTIONS
FR-20	6 – 316 Stainless Steel	0 – 0-15 psig / 0-1.0 bar 1 – 0-30 psig / 0-2.1 bar 2 – 0-75 psig / 0-5.2 bar 3 – 0-150 psig / 0-10.3 bar	2 – NPTF	08 – 1/2" 12 – 3/4"	2 – 500 psig / 34.5 bar	-017 – Piston style dome load -019 – 1/4" gauge port at 90°