

# 44-2800 Series

Regulators - Pressure Reducing

D44281796X012

## Specifications

For other materials or modifications, please consult TESCOM.

### OPERATING PARAMETERS

Pressure rating per criteria of ANSI/ASME B31.3

<b>Maximum Inlet Pressure</b>	3000 psig / 207 bar
<b>Outlet Pressure Ranges</b>	0-25, 0-50, 0-100, 0-150 psig 0-1.7, 0-3.4, 0-6.9, 0-10.3 bar
<b>Design Proof Pressure</b>	150% maximum rated
<b>Leakage</b>	<b>Internal:</b> Bubble-tight <b>External:</b> Design to meet $\leq 2 \times 10^{-8}$ atm cc/sec He
<b>Operating Temperature</b>	-40°F to 140°F / -40°C to 60°C
<b>Flow Capacity</b>	$C_v = 0.16$

### MEDIA CONTACT MATERIALS

<b>Body</b>	316 Stainless Steel
<b>Diaphragm</b>	316 Stainless Steel
<b>Friction Sleeve (outer)</b>	316 Stainless Steel
<b>Friction Sleeve (inner)</b>	Teflon®
<b>Spring</b>	Elgiloy®
<b>Seat</b>	CTFE
<b>Remaining Parts</b>	316 Stainless Steel

### OTHER

<b>Cleaning</b>	CGA 4.1 and ASTM G93
<b>Connections</b>	1/4" NPTF inlet and outlet inlet and outlet ports at 60°
<b>Weight (without gauges)</b>	3 lbs / 1.4 kg

Elgiloy® is a registered trademark of Elgiloy Corp.  
Hastelloy® is a registered trademark of Haynes International, Inc.  
Teflon® is a registered trademark of E.I. du Pont de Nemours and Company



TESCOM 44-2800 Series **tied diaphragm** design provides additional shut-off assistance for toxic or corrosive gases. Positional captured bonnet provides secondary containment for added safety. Available in Hastelloy® or Monel materials.

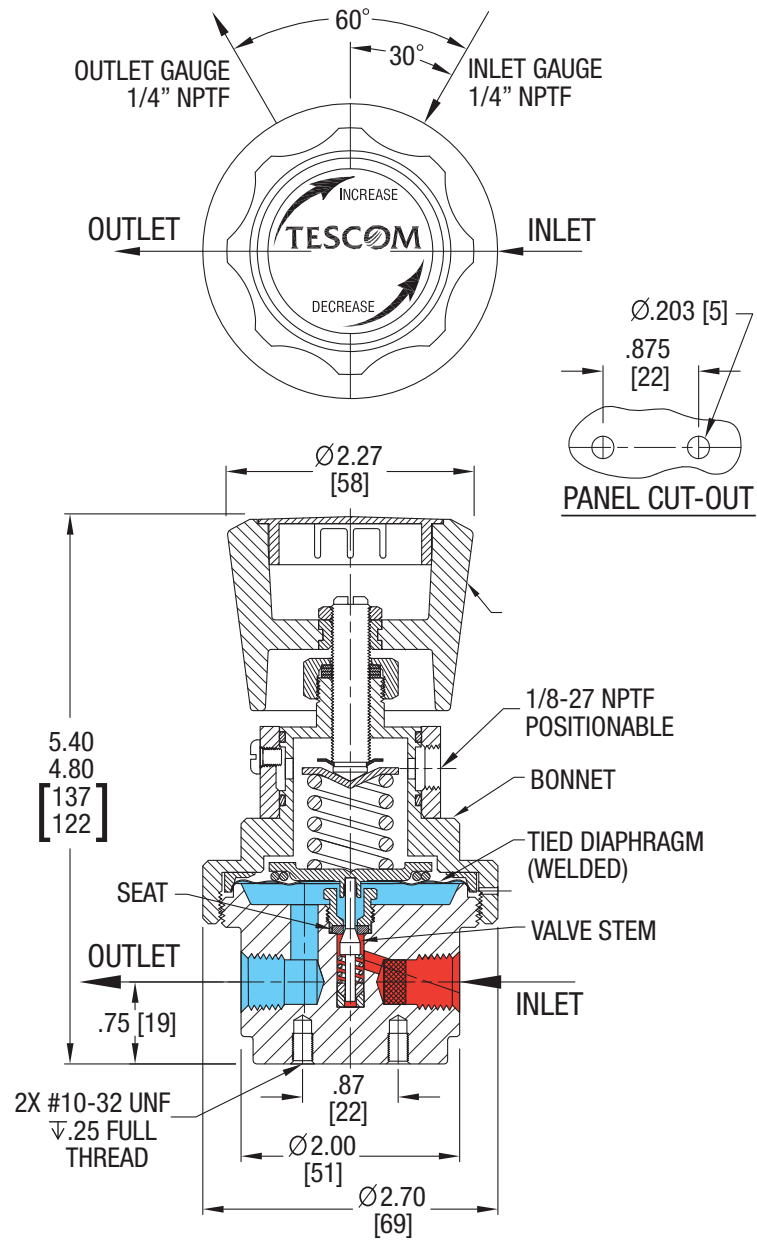
### Application

- Instrumentation/analyzer equipment

### Features and Benefits

- Repeatability:  $\pm 0.50\%$  of maximum rated outlet pressure
- Convoluted diaphragm provides maximum sensitivity and minimum droop
- Metal-to-metal diaphragm to body seal
- Positionable captured vent bonnet and adjustable stop to limit outlet pressures
- Hastelloy® C or Monel trim options are available (-135 modification)

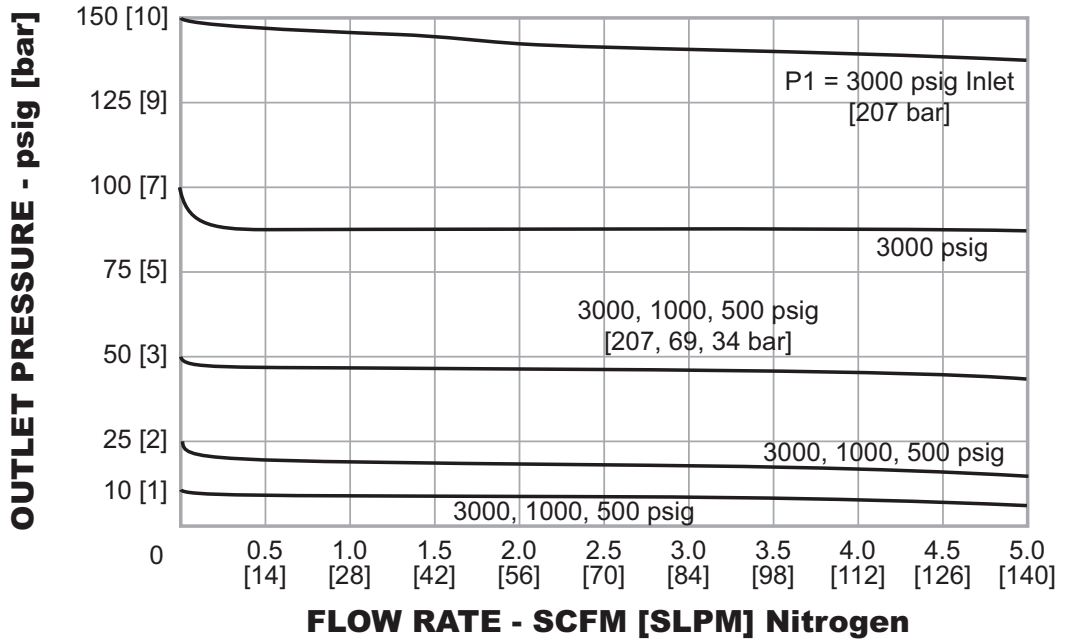
44-2800 Series Regulator Drawing



All dimensions are reference & nominal  
Metric [millimeter] equivalents are in brackets

### 44-2800 Series Regulator Flow Chart

For more information on how to read flow curves, please refer to the Flow Curves and Calculations document (debul2007x012) in the TESCOM catalog or on [www.tescom.com](http://www.tescom.com).



## 44-2800 Series Regulator Part Number Selector

*Repair Kits, Accessories & Modifications may be available for this product. Please contact TESCOM for more information.*

Example for selecting a part number:

44-28	6	1	-	2	4	1
BASIC SERIES	BODY MATERIAL	OUTLET PRESSURE RANGES		INLET AND OUTLET PORT TYPE	INLET AND OUTLET PORT SIZE	MAXIMUM INLET PRESSURE
44-28	6 - 316 Stainless Steel	0 – 0-25 psig 1.7 bar 1 – 0-50 psig 3.4 bar 2 – 0-100 psig 6.9 bar 3 – 0-150 psig 10.3 bar		2 – NPTF	4 – 1/4"	0 – 3000 psig 207 bar