

# 44-1700 Series

## Regulators - Relief / Backpressure

D44171768X012

### Specifications

For other materials or modifications, please consult TESCOM.

#### OPERATING PARAMETERS

Pressure rating per criteria of ANSI/ASME B31.3

##### Maximum Inlet Pressure

800 psig / 55.2 bar

##### Controlled Pressure Ranges

40-150, 40-300, 100-700, 100-800 psig  
2.8-10.3, 2.8-20.7, 6.9-48.3, 6.9-55.2 bar

##### Design Proof Pressure

150% maximum rated

##### Leakage

Bubble-tight

##### Operating Temperature

-15°F to 140°F / -26°C to 60°C

##### Flow Capacity

$C_v = 0.10$

#### MEDIA CONTACT MATERIALS

##### Body

316 Stainless Steel or Brass

##### Seat

CTFE

##### O-Ring

Viton®

##### Back-up Ring

Teflon®

##### Remaining Parts

**Stainless Model:** 316 Stainless Steel

**Brass Model:** Brass and 300 Series Stainless Steel

#### OTHER

##### Cleaning

CGA 4.1 and ASTM G93

##### Weight

2 lbs / 0.9 kg

Teflon® and Viton® are registered trademarks of E.I. du Pont de Nemours and Company.



TESCOM 44-1700 Series is a general purpose, compact backpressure regulator for control pressures up to 800 psig / 55.2 bar.

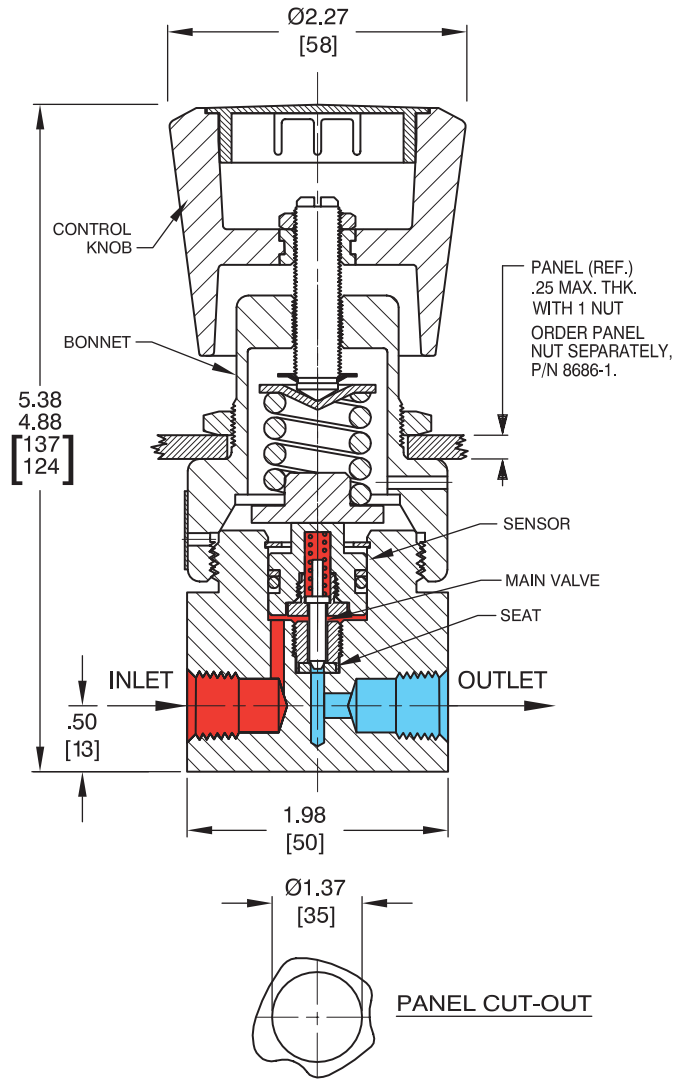
### Application

- Industrial equipment for hydraulic or pneumatic service

### Features and Benefits

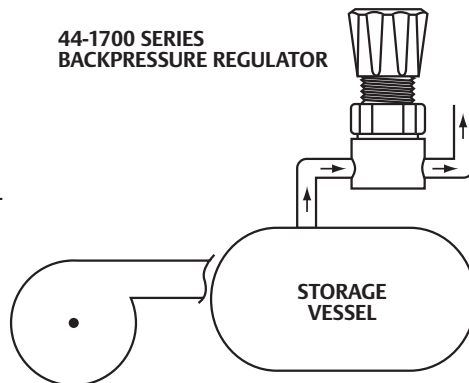
- Economical, compact design
- Piston sensed design is safe and reliable
- Available in a Stainless Steel or Brass design
- Optional gauge ports and panel mounting
- Flow capacity  $C_v = 0.10$
- Low handknob torque for easy operation
- Bubble-tight shutoff at all reseating pressures

44-1700 Series Regulator Drawing



44-1700 SERIES BACKPRESSURE REGULATOR

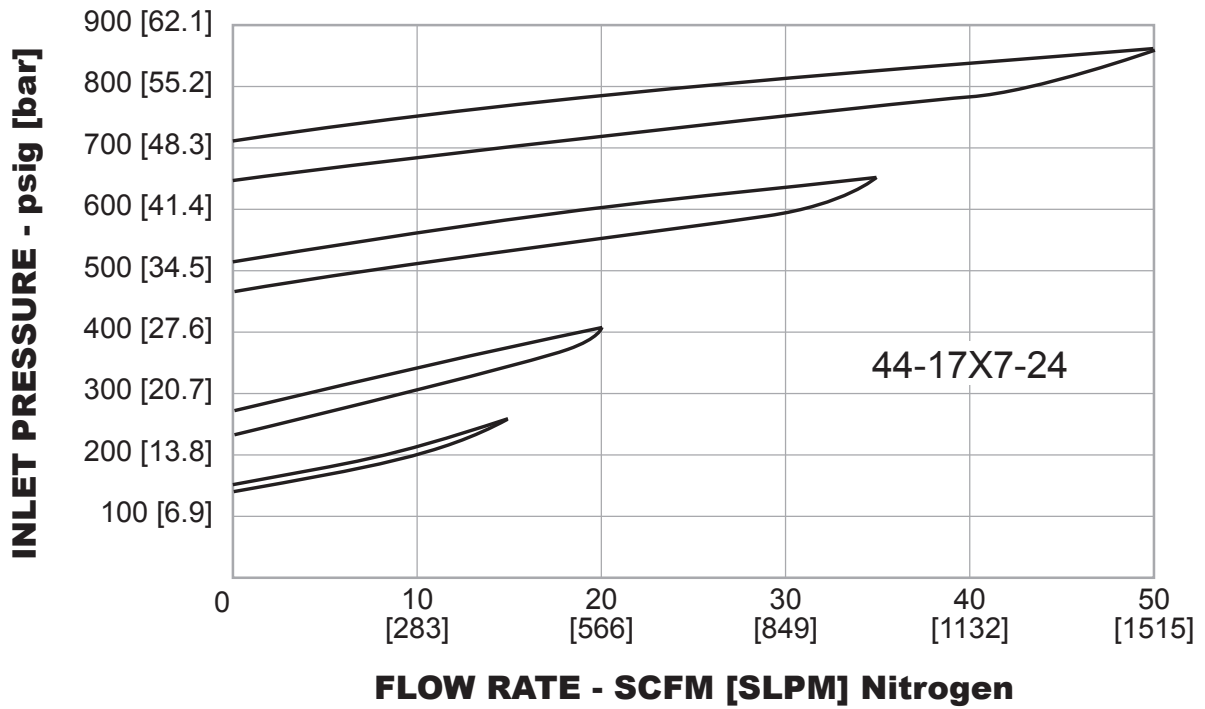
BACKPRESSURE CONTROL OF STORAGE VESSEL



All dimensions are reference & nominal  
Metric [millimeter] equivalents are in brackets

### 44-1700 Series Regulator Flow Chart

For more information on how to read flow curves, please refer to the Flow Curves and Calculations document (debul2007x012) in the TESCOM catalog or on [www.tescom.com](http://www.tescom.com).



## 44-1700 Series Regulator Part Number Selector

*Repair Kits, Accessories & Modifications may be available for this product. Please contact TESCOM for more information.*

*Example for selecting a part number:*

44-17	6	7	-	2	4
BASIC SERIES	BODY MATERIAL	INLET PRESSURE		INLET AND OUTLET PORT TYPE	INLET AND OUTLET PORT SIZE
44-17	1 – Brass 6 – 316 Stainless Steel	2 – 40-150 psig 2.8-10.3 bar  3 – 40-300 psig 2.8-20.7 bar  7 – 100-700 psig 6.9-48.3 bar  8 – 100-800 psig 6.9-55.2 bar		2 – NPTF	4 – 1/4"